

# LED Non-Cutoff Wall Packs



## Built To Last!

9515CG is a series of premium, rugged, durable LED wall packs, which are perfect for outdoor perimeter and area lighting. With a die cast aluminum housing and a polycarbonate lens, the 9515CG will stand up to many years of punishing environmental conditions. High-efficacy, long-life LEDs provide both energy and maintenance cost savings compared to traditional, HID wall packs.






## Features

- UL listed for wet location
- DLC qualified
- LM-80 certified high performance
- Junction box or side knock outs
- Suitable for use in -40°C to 40°C
- 5-year warranty
- Voltage is 120-277V
- Die-cast aluminum with durable dark bronze coat finish
- 20W, 30W, 40W, 65W, 90W, 125W 14.25" x 9.25" x 7.5"
- 150W 18" x 9.75"

## LED Non-Cutoff Wall Packs, 120V-277V

Quick Search Code: SC9760



	Product No	Description	Equivalency
	FL-WPC-20W50K-WMBR-S	20W <b>3000LM</b> 5000K	50 MH
	FL-WPC-30W50K-WMBR-S	30W <b>3000LM</b> 5000K	70 MH
	9515CGBZ030-50K	30W <b>3500LM</b> 5000K W:14.25"	100 MH
	9515CGBZ030-40K	30W <b>3500LM</b> 4000K W:10"	100 MH
	9515CGBZ030-30K	30W <b>3500LM</b> 3000K W:10"	100 MH
	9515CGBZ039-50K	40W <b>5000LM</b> 5000K W:14.25"	175 MH
	9515CGBZ039-40K	40W <b>5000LM</b> 4000K W:14.25"	175 MH
	9515CGBZ039-30K	40W <b>5000LM</b> 3000K W:14.25"	175 MH
	9515CGBZ063-50K	65W <b>7300LM</b> 5000K W:14.25"	250 MH
	9515CGBZ063-40K	65W <b>7300LM</b> 4000K W:14.25"	250 MH
	9515CGBZ087-50K	90W <b>1000LM</b> 5000K W:14.25"	320 MH
	9515CGBZ087-40K	90W <b>1000LM</b> 4000K W:14.25"	320 MH
	9515CGBZ125-50K	125W <b>14500LM</b> 5000K W:14.25"	400 MH
	9515CGBZ125-40K	125W <b>14500LM</b> 4000K W:14.25"	400 MH
	9515CGBZ150-50K	150W <b>18000LM</b> 5000K W:18"	600 MH
	9515CGBZ150-40K	150W <b>18000LM</b> 4000K W:18"	600 MH
	9515CGBZ150-30K	150W <b>18000LM</b> 3000K W:18"	600 MH



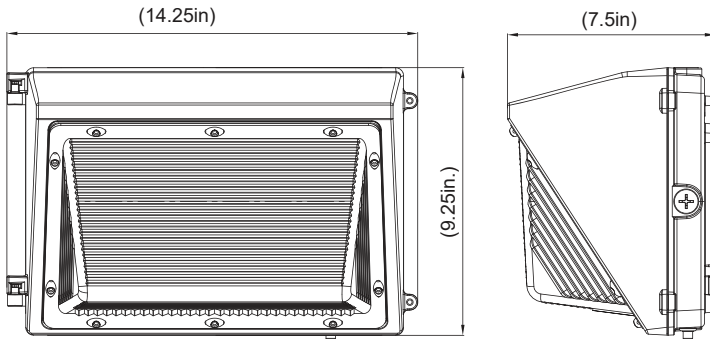
<b>WPI-PC</b>	Photocell-Button, 120V/120-277V
<b>WPI-PIR</b>	PIR Motion Sensor, 120-277V
<b>WPI-EM</b>	Emergency Battery Backup
<b>Driver-480V</b>	480 Volt

## Infographic



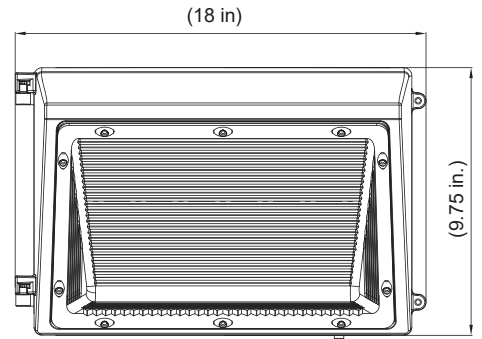
## Dimensions

30W, 40W, 65W, 90W, 125W  
(Some 30W are 10" W)



## Dimensions

150W



## Photometrics

