



Date: _____ Type: _____

Firm Name: _____

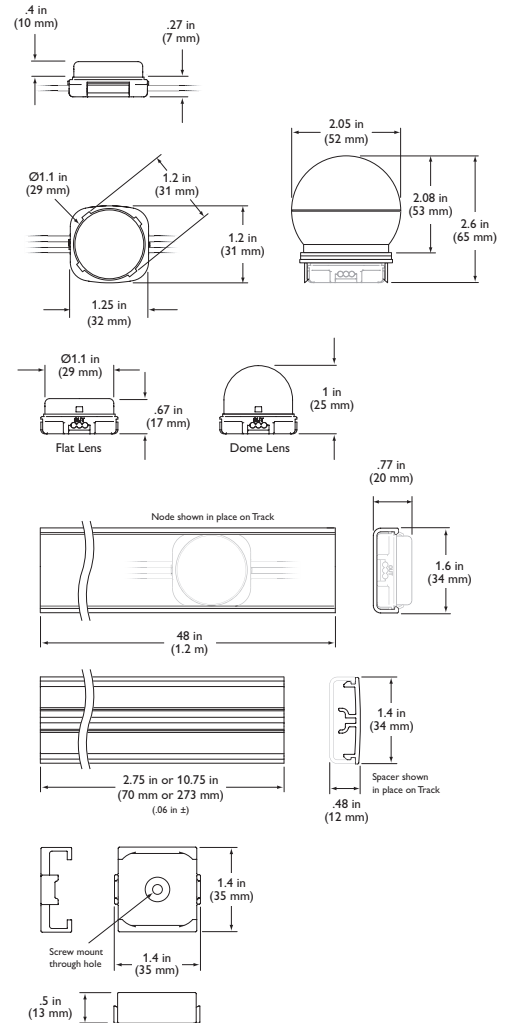
Project: _____

eW Flex SLX

Flexible strands of large high-intensity LED nodes with solid white light

eW Flex SLX is a versatile strand of large, individually controllable white light LED nodes. The durable, flexible form factor allows dynamic points of white light to be installed across nearly any interior or exterior surface, including walls, ceilings, floors, three-dimensional sculptures, and set pieces. eW Flex SLX can also light tight alcove spaces and signage.

- **Intelligent white light** — Each eW Flex SLX node produces light output of up to 5.99 candela (full on). The intensity of each node can be individually controlled for a variety of uses and effects.
- **Multiple lens options** — Clear flat and translucent dome lenses are standard. Semi-frosted flat and dome lenses are available. Optional clear, translucent, or semi-frosted marquee lenses snap onto flat-lens nodes to create the appearance of bulbs on a traditional theatre marquee.
- **Adaptable mounting** — Strands can be mounted directly to a surface like traditional string lights. Optional mounting tracks ensure straight linear runs, while snap-on spacers hide cabling and mounting hardware between nodes. Single node mounts can be positioned individually to provide anchor points for nodes in installations with uneven node spacing or complex geometries.
- **Standard and custom lengths and node spacing** — Available with standard on-center node spacing of 4 in (102 mm) or 12 in (305 mm). Custom on-center node spacing, from 3 in (76 mm) to 12 in (305 mm), support virtually any lighting or video design. Standard 50-node lengths can be field-shortened. Custom node lengths of 5 to 50 nodes are also available.
- **Range of color temperatures and housing colors** — Warm 2700 K and cool 4200 K are standard, with 6500 K available. Standard white housing, with black and clear available.
- **Outdoor rated** — Fully sealed for maximum fixture life and IP66-rated for outdoor applications.



- **Industry-leading controls** — eW Flex SLX works seamlessly with the complete Philips Color Kinetics line of controllers, including Video System Manager Pro, Light System Manager, and iPlayer 3, as well as third-party DMX or Ethernet controllers.

For detailed product information, please refer to the eW Flex SLX Product Guide at www.philipscolorkinetics.com/ls/essentialwhite/ewflexslx/

PHILIPS

Specifications

Due to continuous improvements and innovations, specifications may change without notice.

Item	Specification	Clear Flat Lens	Translucent Dome	
Output	Lumens*	2700 K†	12.3	7.2
		4200 K†	16.2	9.7
	Efficacy (lm / W)	2700 K	12.3	7.2
		4200 K	16.2	9.7
	CRI	2700 K	67	70
		4200 K	70	72
Lumen Maintenance‡	40,000+ hours L70 @ 50° C			
Electrical	Input Voltage	24 VDC via sPDS-480ca, PDS-60ca, sPDS-60ca		
	Power Consumption	1 W max. per node at full output, steady state		
Physical	Node Dimensions (Height x Width x Depth)	1.22 x 1.25 x .56 in (31 x 32 x 14 mm)	1.22 x 1.25 x 1 in (31 x 32 x 25 mm)	
	Weight	4.6 lb (2.1 kg) per strand of 50 nodes		
	Housing	White polycarbonate		
	Lens	Clear or frosted polycarbonate		
	Fixture Connections	RJ45 data connectors, 3-pin power connector		
	Temperature Ranges	-40° – 122° F (-40° – 50° C) Operating -4° – 122° F (-20° – 50° C) Startup -40° – 176° F (-40° – 80° C) Storage		
	Humidity	0 – 95%, non-condensing		
	Maximum Fixtures Per Power / Data Supply	sPDS-480ca 24V: 8 strands sPDS-60ca 24V: 1 strand PDS-60ca 24V: 1 strand		
Certification and Safety	Certification	UL / cUL, CE		
	Environment	Dry / Damp / Wet Location, IP66		

* Lumen measurement complies with IES LM-79-08

† Correlated color temperature (CCT) complies with ANSI C78.377-2008 for the chromaticity of solid state lighting products.

‡ L70 = 70% lumen maintenance (when light output drops below 70% of initial output). L50 = 50% lumen maintenance (when light output drops below 50% of initial output). Ambient luminaire temperatures specified. Lumen maintenance calculations are based on lifetime prediction graphs supplied by LED source manufacturers. Calculations for white-light LED fixtures are based on measurements that comply with IES LM-80-08 testing procedures. Refer to www.philipscolorkinetics.com/support/appnotes/lm-80-08.pdf for more information.



CHROMASIC™ | OPTIBIN®
CK TECHNOLOGY | CK TECHNOLOGY

Photometrics

Brightness Per Node

Lensing	On-Axis Candela		Viewing Angle
	2700 K	4200 K	
Clear flat lens	4.61	5.99	108°
Semi-frosted dome	2.96	5.01	117°
Translucent dome	1.15	1.54	180°
Clear marquee lens	4.02	5.66	111°
Semi-frosted marquee lens	3.68	4.99	94°
Translucent marquee lens	0.50	0.68	260°

Luminance of 1 m² Grid

Lensing	On-Center Node Spacing					
	3 in		4 in		12 in	
	2700 K	4200 K	2700 K	4200 K	2700 K	4200 K
Clear flat lens	779	1012	373	485	41	54
Semi-frosted dome	500	847	240	406	27	45
Translucent dome	194	260	93	125	10	14
Clear marquee lens	679	957	326	458	36	51
Semi-frosted marquee lens	622	843	298	404	33	45
Translucent marquee lens	85	115	41	55	5	6

All figures in nits (cd / m²)

Fixtures and Accessories

Item	Type	Item Number	Philips 12NC	
eW Flex SLX 50 nodes 4 in on-center node spacing	2700 K	Clear Flat Lens	500-000007-01	910503700176
		Translucent Dome Lens	500-000007-00	910503700175
	4200 K	Clear Flat Lens	500-000007-05	910503700180
		Translucent Dome Lens	500-000007-04	910503700179
eW Flex SLX 50 nodes 12 in on-center node spacing	2700 K	Clear Flat Lens	500-000007-03	910503700178
		Translucent Dome Lens	500-000007-02	910503700177
	4200 K	Clear Flat Lens	500-000007-07	910503700182
		Translucent Dome Lens	500-000007-06	910503700181
Marquee Lens Kits Qty 50	White	Clear	999-007997-00	910503702308
			999-007997-01	910503702309
	White	Semi-frosted	999-007997-04	910503702312
			999-007997-05	910503702313
	White	Translucent	999-007997-02	910503702310
			999-007997-03	910503702311
Mounting Track Quantity 1	White	4 ft (1.2 m)	101-000057-00	910503700044
Mounting Track Spacers Quantity 50	White	4 in (102 mm)	101-000059-00	910503700048
	White	12 in (305 mm)	101-000059-01	910503700049
Single Node Mounts Quantity 50	White		101-000058-00	910503700046
sPDS-480ca 24V	Ethernet		109-000026-00	910503700110
	Pre-programmed		109-000016-00	910503700095
PDS-60ca 24V	DMX		109-000016-01	910503700333
	Ethernet		109-000016-02	910503700334
sPDS-60ca 24V	DMX / Ethernet		109-000021-02	910503700106

Use Item Number when ordering in North America.



Philips Color Kinetics
3 Burlington Woods Drive
Burlington, Massachusetts 01803 USA
Tel 888.385.5742
Tel 617.423.9999
Fax 617.423.9998
www.philipscolorkinetics.com

Copyright © 2010 – 2012 Philips Solid-State Lighting Solutions, Inc. All rights reserved. Chromacore, Chromasic, CK, the CK logo, Color Kinetics, the Color Kinetics logo, ColorBlast, ColorBlaze, ColorBurst, eW Fuse, ColorGraze, ColorPlay, ColorReach, iW Reach, eW Reach, DIMand, EssentialWhite, eW, iColor, iColor Cove, IntelliWhite, iW, iPlayer, Optibin, and Powercore are either registered trademarks or trademarks of Philips Solid-State Lighting Solutions, Inc. in the United States and / or other countries. All other brand or product names are trademarks or registered trademarks of their respective owners. Due to continuous improvements and innovations, specifications may change without notice. DAS-000041-01 R05 04-12