



Date: _____ Type: _____

Firm Name: _____

Project: _____

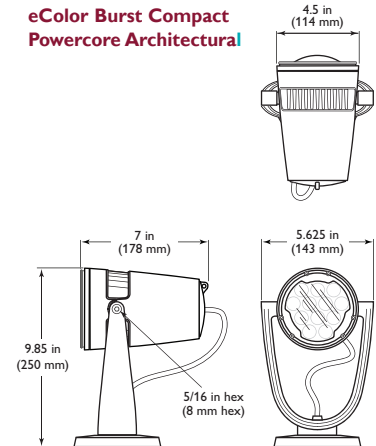
eColor Burst Compact Powercore

Compact architectural and landscape LED spotlight with solid color light

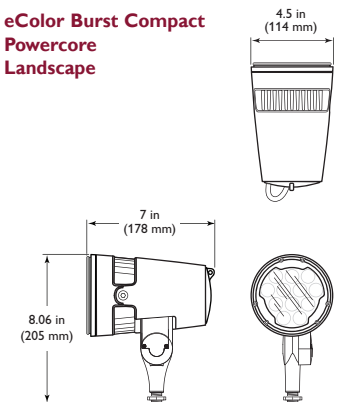
eColor Burst Compact Powercore is a high-output, exterior-rated LED lighting fixture designed for accent and site lighting. Architectural and Landscape versions deliver high-quality light output in Red, Green, Blue, and Amber to support a range of uplighting, floodlighting, and decorative lighting applications.

- Integrates patented Powercore technology — Powercore rapidly, efficiently, and accurately controls power output to fixtures directly from line voltage, eliminating the need for an external power supply. Contractor-friendly installation dramatically simplifies installation and lowers total system cost.
- Flexible mounting in architectural applications — Architectural fixtures feature an integrated yoke with canopy base for mounting to standard US junction boxes or directly to a flat surface or substrate as local codes permit.
- Support for a wide range of landscape applications — Landscape fixtures feature a 1/2 in NPT threaded post for mounting to standard junction boxes and third-party accessories such as stanchion mounts, posts, and stakes for use in softscape and hardscape applications.
- Exchangeable optics and accessories — Available 14°, 23°, 41°, and asymmetric 10° x 41° spread lenses project a soft-edge beam to support a wide range of lighting applications. Native 8° beam angle offers extended light projection. Available glare shields block spill light, and honeycomb louvers limit the spread of light for a more focused and intense beam.
- Versatile light positioning — Fixtures can tilt through a full 180°. Architectural fixtures can also rotate through a full 360° for precise aiming. Locking screws accept standard hex wrenches to secure fixtures firmly in position.
- Universal power input range — Accepts a universal power input range of 100 to 277 VAC, allowing the installation of multiple units in a continuous run.

eColor Burst Compact Powercore Architectural



eColor Burst Compact Powercore Landscape



- Dimming capability — Patented DIMand technology offers smooth dimming capability with selected commercially available reverse-phase ELV-type dimmers.
- Outdoor rated — With a rugged, die-cast aluminum housing fully sealed for maximum fixture life and IP66-rated for outdoor applications, eColor Burst Compact Powercore is ideal for use in damp or wet locations.

For detailed product information, please refer to the eColor Burst Compact Powercore Product Guide at www.philipscolorkinetics.com/ls/essentialcolor/ecolorburstcompactpc/

PHILIPS

Specifications

Due to continuous improvements and innovations, specifications may change without notice.

Item	Specification	Details
Output	Beam Angle	8° native
		14° / 23° / 41° spread lenses
		10° x 41° asymmetric spread lens
Electrical	Input Voltage	100 – 277 VAC, auto-switching, 50 / 60 Hz
	Power Consumption	15 W maximum at full output, steady state
Control	Dimming	Compatible with selected commercially available reverse-phase ELV-type dimmers*
Physical	Dimensions (Height x Width x Depth)	9.85 x 4.5 x 7.0 in (250 x 114 x 178 mm) Architectural
		8.06 x 4.5 x 7.0 in (205 x 114 x 178 mm) Landscape
	Weight	8.7 lb (3.9 kg) Architectural
		4.4 lb (2.0 kg) Landscape
	Housing	Die-cast aluminium, powder-coated finish
	Lens	Tempered glass
	Fixture Connections	6 ft (1.8 m) unified power / data cable with flying leads Architectural
		6 in (152 mm) flying leads Landscape
	Temperature Ranges	-40° – 122° F (-40° – 50° C) Operating
		-4° – 122° F (-20° – 50° C) Startup
-40° – 176° F (-40° – 80° C) Storage		
Vibration Resistance	ANSI C136.31 (Architectural only)	
Humidity	0 – 95%, non-condensing	
Certification and Safety	Certification	UL / cUL, FCC Class A, CE, C-Tick, CQC, SAA
	Environment	Dry / Damp / Wet Location, IP66

* Refer to www.philipscolorkinetics.com/support/appnotes/ for specific details.



Accessories

Item	Type	Item Number	Philips 12NC
Trim Ring	Gray	120-000103-09	910503701823
	Black	120-000103-12	910503701737
	White	120-000103-15	910503701826
45° Glare Shield	Gray	120-000103-10	910503701824
	Black	120-000103-13	910503701738
Full Height Glare Shield	White	120-000103-16	910503701827
	Gray	120-000103-10	910503701824
	Black	120-000103-13	910503701738
Honeycomb Louver	White	120-000103-16	910503701827
	Black	120-000104-01	910503701419
	Black	120-000104-01	910503701419
Spread Lenses	14°	120-000080-04	910503701415
	23°	120-000080-05	910503701416
	41°	120-000080-06	910503701417
	10° x 41° asymmetric	120-000080-07	910503701418

Use Item Number when ordering in North America.

DIMAND | **OPTIBIN** | **POWERCORE**
CK TECHNOLOGY | CK TECHNOLOGY | CK TECHNOLOGY

✳ For help estimating the light output and distribution of eColor lighting fixtures, please contact Philips Color Kinetics Applications Engineering Services at support@colorkinetics.com.

eColor Burst Compact Powercore Fixtures

		Gray Housing		Black Housing		White Housing	
		Item Number	Philips 12NC	Item Number	Philips 12NC	Item Number	Philips 12NC
eColor Burst Compact Powercore Architectural (UL / cUL)	Red	223-000036-06	910503702239	223-000036-18	910503702049	223-000036-30	910503702251
	Green	223-000036-05	910503702238	223-000036-17	910503702048	223-000036-29	910503702250
	Blue	223-000036-04	910503702237	223-000036-16	910503702047	223-000036-28	910503702249
	Amber	223-000036-07	910503702240	223-000036-19	910503702050	223-000036-31	910503702252
eColor Burst Compact Powercore Architectural (CE)	Red	223-000036-10	910503702243	223-000036-22	910503702053	223-000036-34	910503702255
	Green	223-000036-09	910503702242	223-000036-21	910503702052	223-000036-33	910503702254
	Blue	223-000036-08	910503702241	223-000036-20	910503702051	223-000036-32	910503702253
	Amber	223-000036-11	910503702244	223-000036-23	910503702054	223-000036-35	910503702256
eColor Burst Compact Powercore Architectural (CCC)	Red	223-000036-38	910503702337	223-000036-42	910503702341	223-000036-46	910503702345
	Green	223-000036-37	910503702336	223-000036-41	910503702340	223-000036-45	910503702344
	Blue	223-000036-36	910503702335	223-000036-40	910503702339	223-000036-44	910503702343
	Amber	223-000036-39	910503702338	223-000036-43	910503702342	223-000036-47	910503702346
eColor Burst Compact Powercore Landscape (UL / cUL / CE)	Red	223-000036-02	910503702235	223-000036-14	910503702045	223-000036-26	910503702247
	Green	223-000036-01	910503702234	223-000036-13	910503702044	223-000036-25	910503702246
	Blue	223-000036-00	910503702233	223-000036-12	910503702043	223-000036-24	910503702245
	Amber	223-000036-03	910503702236	223-000036-15	910503702046	223-000036-27	910503702248

Use Item Number when ordering in North America.



Philips Color Kinetics
3 Burlington Woods Drive
Burlington, Massachusetts 01803 USA
Tel 888.385.5742
Tel 617.423.9999
Fax 617.423.9998
www.philipscolorkinetics.com

Copyright © 2011 - 2012 Philips Solid-State Lighting Solutions, Inc. All rights reserved. Chromacore, Chromasic, CK, the CK logo, Color Kinetics, the Color Kinetics logo, ColorBlast, ColorBlaze, ColorBurst, ColorGraze, ColorPlay, ColorReach, iW Reach, eW Reach, eW Fuse, DIMand, EssentialWhite, eW, iColor, iColor Cove, IntelliWhite, iW, iPlayer, Optibin, and Powercore are either registered trademarks or trademarks of Philips Solid-State Lighting Solutions, Inc. in the United States and / or other countries. All other brand or product names are trademarks or registered trademarks of their respective owners. Due to continuous improvements and innovations, specifications may change without notice. DAS-000098-01 R01 04-12