

# LED Dusk-To-Dawn



## Security Lighting!

total cost of ownership and a quick return on investment. It features a power door for easy maintenance and 3G vibration rated construction. While its lightweight design, tool-less entry, and easy installation make dusk-to-dawn luminaire an ideal solution for any contractor.

## Features

- Initial Delivered Lumens: 3000lm~18,000lm
- CRI: ≥ 70
- CCT: 5000K
- Mounting: Mounts directly to wall surface or to pole with mounting arm (accessory sold separately)
- Durable, die-cast aluminum housing dark bronze polyester powder-coat finish
- Twist-lock photocell included
- Replaces up to 400W MH
- Input Voltage: 120-277V
- General Area Illumination Entryways & Pathways Yards & Loading Docks
- Operating Minimum: -40°C (-40°F)
- Lifespan: Estimated >50,000 Hours
- Power Factor: ≥ 0.9
- Total Harmonic Distortion: ≤20%
- Limited Warranty: 5-years
- cULus Listed
- Suitable for wet locations
- DLC qualified



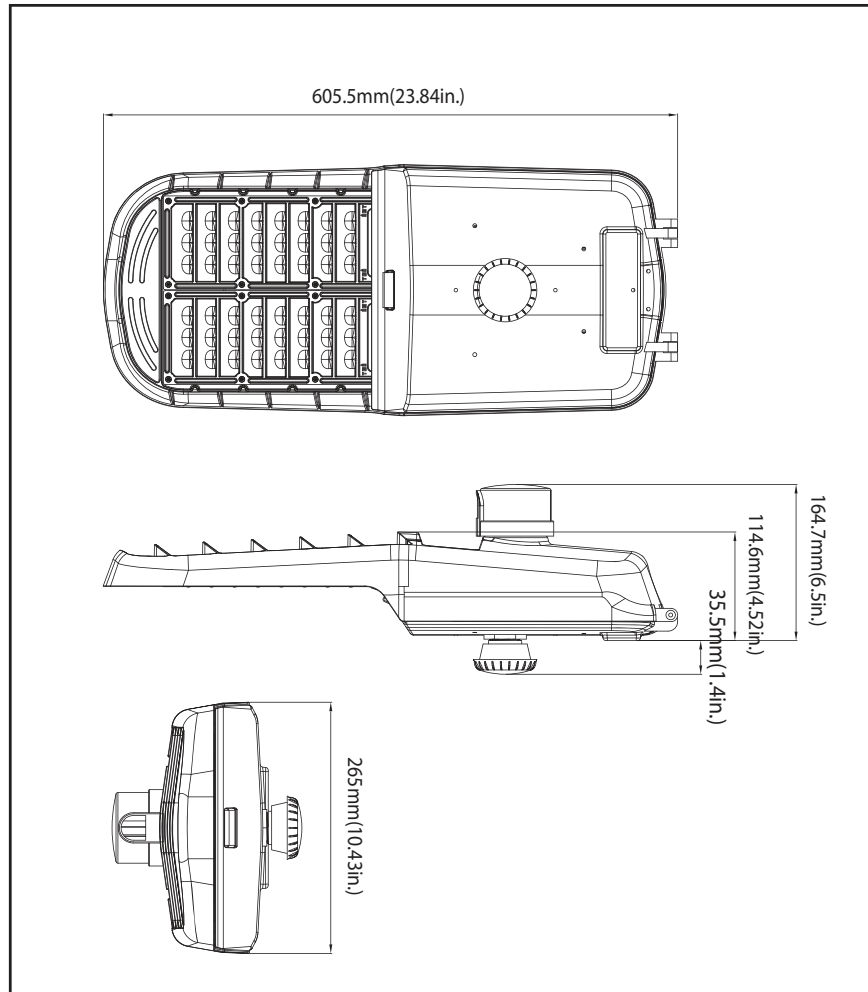
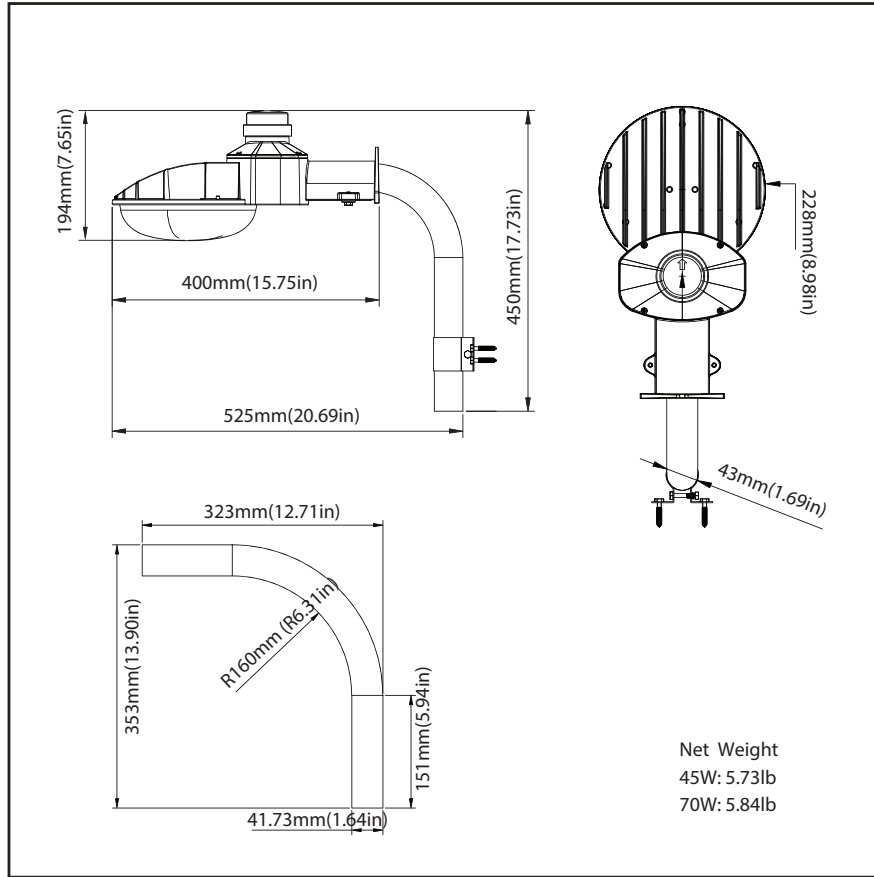
## LED Dusk To Dawn, Includes arm + photocell, 120-277V

Quick Search Code: S16320

Product No	Description	Equivalency
7101CAAL030	30W 3000LM 5000K SILVER	100 MH
7101CAAL045	45W 4900LM 5000K SILVER	100 MH
7101CAAL068-Bronze	70W 10000LM 5000K BRONZE	175 MH
7101CAAL068	70W 10000LM 5000K SILVER	175 MH
7101CAAL100	100W 12000LM 5000K SILVER	320 MH
7101CAAL150	150W 18000LM 5000K SILVER	400 MH



# Dimensions





30W  
11" x 8" x 5"  
16" x 8" x 13" With Mounting Arm



45W  
15.75" x 8.5" x 8"  
20.5" x 8.5" x 17.5" With Mounting Arm

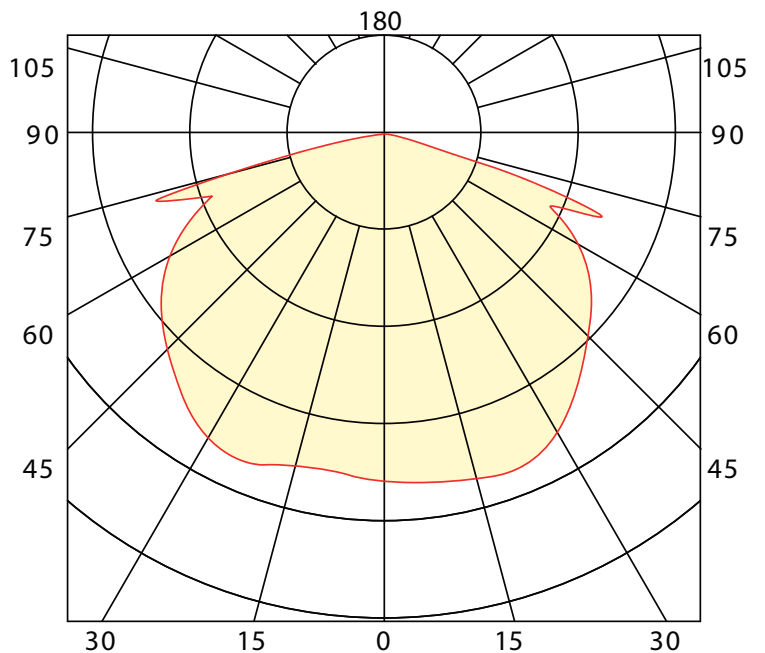


70W  
15.75" x 8.5" x 8"  
20.5" x 8.5" x 17.5" With Mounting Arm



100W & 150W  
24" x 10.5" x 6.5"  
29" x 10.5" x 13" With Mounting Arm



## Photometrics



## Infographic



## Accessories

	<p><b>Mounting arm kit</b></p> <p>USE: For pole mounting</p>
	<p><b>Photozell</b></p>

## Application

