

Vaya Flood, White & Mono

Philips Vaya Flood is cost effective and reliable white light fixture for both interior and exterior use. Vaya Flood is designed for general purpose flood, wash and accent lighting applications. Integrated power and adjustable tilt angle makes this product versatile and easy to use.



Key Features

- Cost effective, reliable LED lighting fixture
- Available in 3000K and 4000K
- Custom options: 2700K, Red, Green, Blue, Amber
- Available with 15° or 30° Beam Angles
- Auto-ranging 100V – 240V 50/60Hz input
- Interior / Exterior - IP66

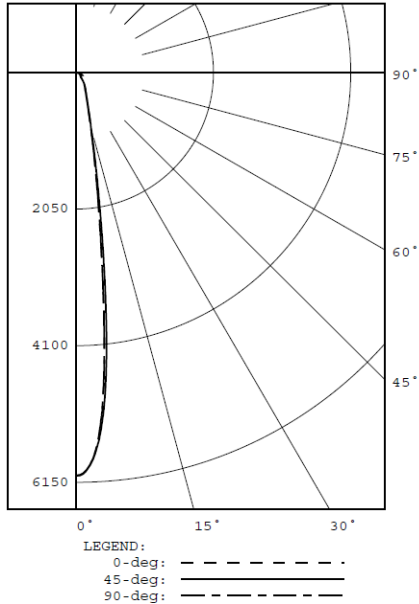
Product Data

Height	198 mm (7.8in), including surface mount base
Width	254 mm (10in)
Depth	97 mm (3.8in), excludes mounting base
Mounting	Integrated tilting surface-mount base or ½" NPS
Source	High-brightness White LEDs
Beam Angle	15° or 30°
Output Luminous Flux	1130 lumens
CRI	80 Ra
Lumen Maintenance	50,000 hrs L ₇₀ at 25°C
Housing	Die Cast Aluminum, powder-coated finish
Weight	2.5 kg
Connector	3-conductor whip for power, 1.5m long
Control	On / Off
Lens	UV Stabilized polycarbonate
Input Power	100 – 240 VAC, 50 / 60Hz
Power Consumption	40W
Temperature Range	-40°C – 35°C (-40°F ~ 95°F) operating temperature
Protection Rating	IP66, Wet location listed
Certifications	UL / cUL, FCC Class A, CE, CB, CQC

Photometrics (Per IESNA LM-79):

Vaya Flood, 3000K, 15° Beam

Polar Candela Distribution



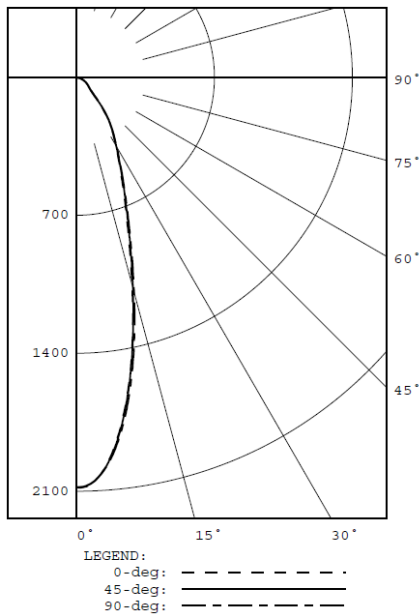
Zonal Lumen Summary

ZONE	LUMENS	%FIXT
0- 30	768	64.7
0- 40	894	75.4
0- 60	1042	87.8
0- 90	1184	99.8
90-120	2	0.2
90-130	2	0.2
90-150	2	0.2
90-180	2	0.2
0-180	1186	100.0

EFFICACY = 31.4 Lm/W
 CIE TYPE - DIRECT

Vaya Flood, 3000K, 30° Beam

Polar Candela Distribution



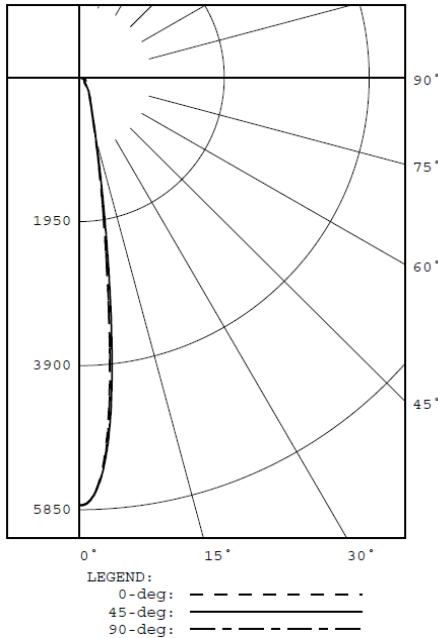
Zonal Lumen Summary

ZONE	LUMENS	%FIXT
0- 30	733	63.3
0- 40	924	79.8
0- 60	1088	94.0
0- 90	1157	99.9
90-120	1	0.1
90-130	1	0.1
90-150	1	0.1
90-180	1	0.1
0-180	1158	100.0

EFFICACY = 30.6 Lm/W
 CIE TYPE - DIRECT

Vaya Flood, 4000K, 15° Beam

Polar Candela Distribution



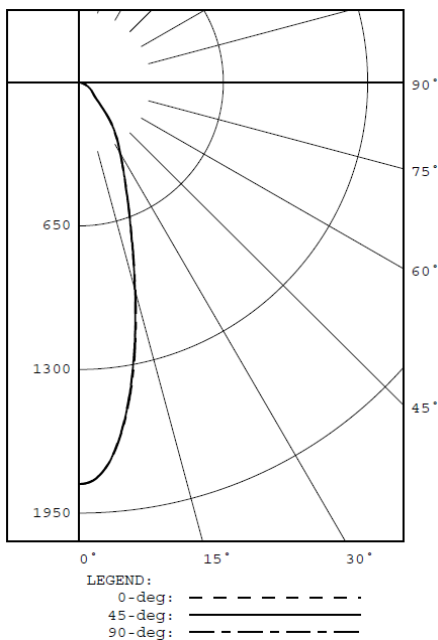
Zonal Lumen Summary

ZONE	LUMENS	%FIXT
0- 30	759	63.9
0- 40	888	74.7
0- 60	1043	87.8
0- 90	1186	99.8
90-120	3	0.2
90-130	3	0.2
90-150	3	0.2
90-180	3	0.2
0-180	1189	100.0

EFFICACY = 30.6 Lm/W
 CIE TYPE - DIRECT

Vaya Flood, 4000K, 15° Beam

Polar Candela Distribution

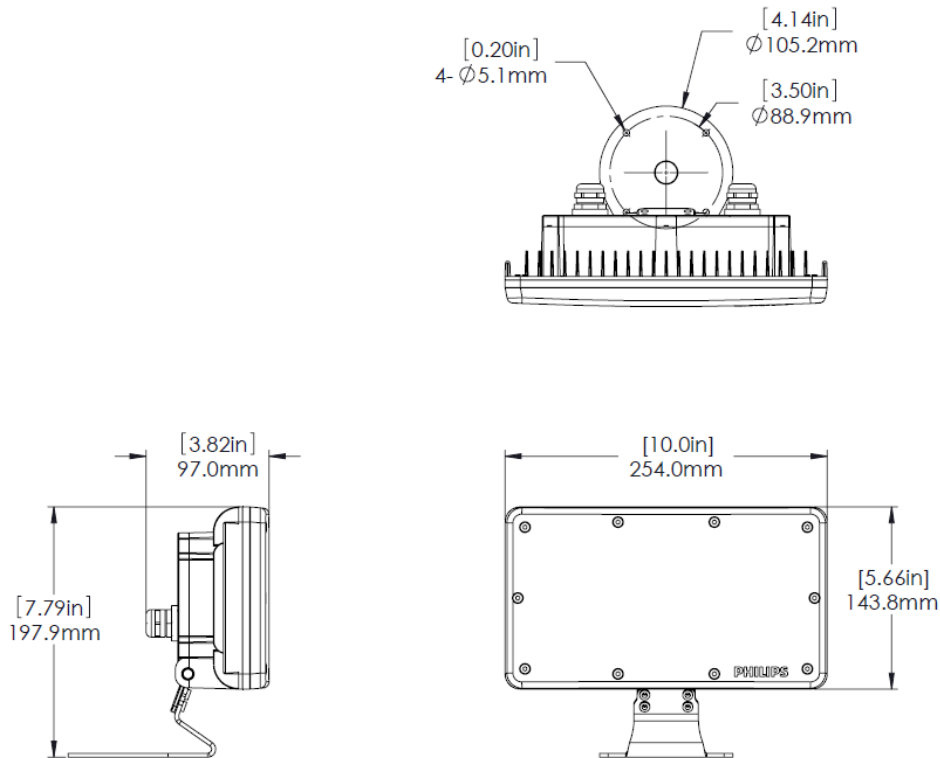


Zonal Lumen Summary

ZONE	LUMENS	%FIXT
0- 30	650	61.5
0- 40	828	78.4
0- 60	990	93.7
0- 90	1055	99.9
90-120	1	0.1
90-130	1	0.1
90-150	1	0.1
90-180	1	0.1
0-180	1056	100.0

EFFICACY = 27.7 Lm/W
 CIE TYPE - DIRECT

Dimensions:



Ordering Codes:

Product	Color Temp.	Beam Angle	Philips 12NC	Item Number	Certification
Surface Mount	3000K	15°	910503701753	350-000001-04	UL / cUL
Surface Mount	3000K	30°	910503701754	350-000001-05	UL / cUL
Surface Mount	4000K	15°	910503701755	350-000001-06	UL / cUL
Surface Mount	4000K	30°	910503701756	350-000001-07	UL / cUL
½" NPS Mount	3000K	15°	910503702059	350-000001-12	UL / cUL
½" NPS Mount	3000K	30°	910503702060	350-000001-13	UL / cUL
½" NPS Mount	4000K	15°	910503702061	350-000001-14	UL / cUL
½" NPS Mount	4000K	30°	910503702062	350-000001-15	UL / cUL

¹Custom options include 2700K, Red, Green, Blue, Amber version in either lengths or beam angles.

Product	Color Temp.	Beam Angle	Philips 12NC	Item Number	Certification
Surface Mount	2700K	15°	910503703251	350-000001-18	UL / cUL
Surface Mount	2700K	30°	910503703252	350-000001-19	UL / cUL
½" NPS Mount	2700K	15°	910503703255	350-000001-22	UL / cUL
½" NPS Mount	2700K	30°	910503703256	350-000001-23	UL / cUL
Surface Mount	Red	15°	910503702085	325-000001-16	UL / cUL
Surface Mount	Red	30°	910503702086	325-000001-17	UL / cUL
Surface Mount	Green	15°	910503702087	325-000001-18	UL / cUL
Surface Mount	Green	30°	910503702088	325-000001-19	UL / cUL
Surface Mount	Blue	15°	910503702089	325-000001-20	UL / cUL
Surface Mount	Blue	30°	910503702090	325-000001-21	UL / cUL
Surface Mount	Amber	15°	910503702091	325-000001-22	UL / cUL
Surface Mount	Amber	30°	910503702092	325-000001-23	UL / cUL