

LED UP/DOWN SUSPENDED PANEL LIGHT

QUICK SEARCH: SC9439



Up/Downlight

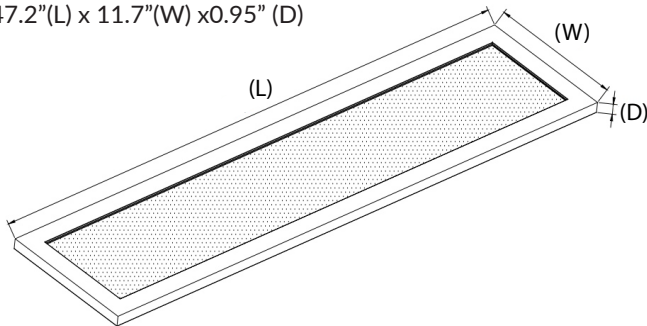


FEATURES:

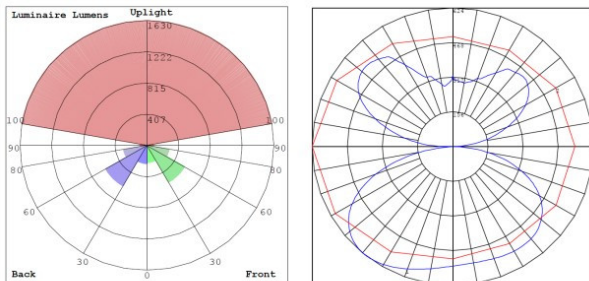
- Color Temperature: Color Selectable
- Size: 4 Feet
- Modern design
- Up/down light
- Rated life: 50,000 hours
- Lens: Clear patterned panel
- Housing: White, die-cast aluminum
- Lumens: 2100 Up - 2100 Down

DIMENSIONS:

47.2"(L) x 11.7"(W) x 0.95" (D)



PHOTOMETRICS:



BUD Rating: B1-U5-G1

WARRANTY & LISTINGS:

- 5-year warranty
- UL Listed
- DLC
- 0-10V Dimmable

MECHANICAL:

- Voltage: 100V- 277VAC 50/60 Hz
- CRI: >80
- Power Factor: >0.95
- Operating Temperature: -13°F to 140°F
- Efficacy: 105LM/W
- IP Rating: IP20

ACCESSORIES

- 6ft suspension kit with Y-connector key hole set + 2 T-bar clips + 1 cable bushing + 3 plastic tie straps
- 6FT. cord, SJTW 18 AWG 5-conductor included



Adjustable Suspension Kit



6 Feet Cord

SPECIFICATION:

Product Code	Wattage	Lumens	Color Temperature	Mounting	Size
SPL-4FT-40W-MCT-D-K	40W	4200 Lumens	Color Selectable - 35K/40K/50K	Suspension Hanging Kit	4 Feet