

SOLAR LED BOLLARD LIGHTS

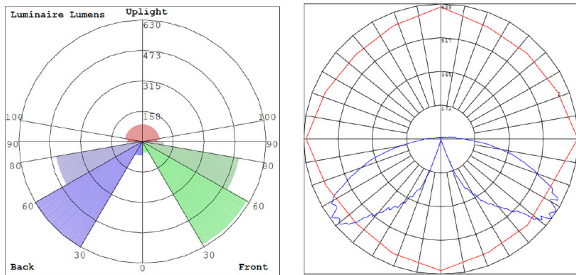
SEARCH CODE: SC43776



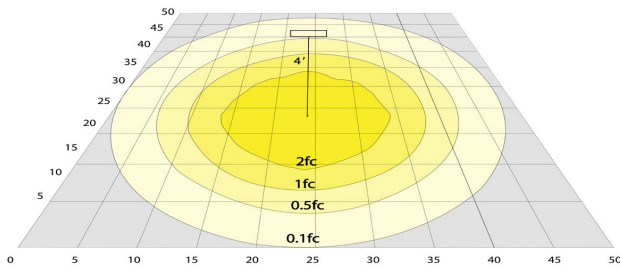
FEATURES:

- Color Temperatures: 4000K
- Finish: Available in bronze or black finish
- Rated hours: 50,000 hrs
- Beam Angle : 120°
- Lumens: 390LM Max.
- Flat Top with Cone Reflector & Frosted Lens
- Corrosion Resistant Aluminum for Exterior
- Mounting Accessories & Anchor Bolts Included (7-1/2" long)

PHOTOMETRICS:



BUD Rating: B1-U3-G2



Area 75' x 65' Mounting Height: 4'

WARRANTY & LISTINGS:

- 5-year warranty
- UL / cUL Certified
- IP65 Waterproof

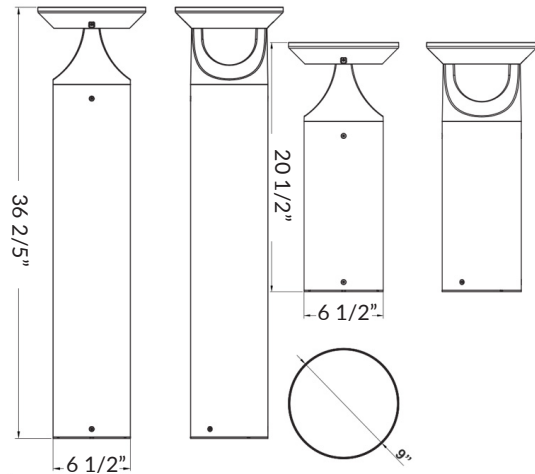
ELECTRICAL:

- Power Factor: >0.9
- Efficacy: 130 LPW
- Operating Temperature: 0°F to 113°F
- Color Rendering Index: CRI ≥ 70

APPLICATION:

- Bollards are designed for walkways, entrance ways, drives and other small-area lighting applications where low mounting heights are desirable

DIMENSIONS:



36 2/5" (H) x 6 1/2" (W) x 9" (D)
20 1/2" (H) x 6 1/2" (W) x 9" (D)

SPECIFICATIONS:

Product Code	Height	Wattage	Lumens	Finish	Color Temperature
SOL-BL-301-14-40K-BR	14 INCH	3W	390 LM	Bronze	4000K
SOL-BL-301-14-40K-BK	14 INCH	3W	390 LM	Black	4000K
SOL-BL-301-30-40K-BK	30 INCH	3W	390 LM	Black	4000K
SOL-BL-301-30-40K-BR	30 INCH	3W	390 LM	Bronze	4000K

SOLAR LED BOLLARD LIGHTS

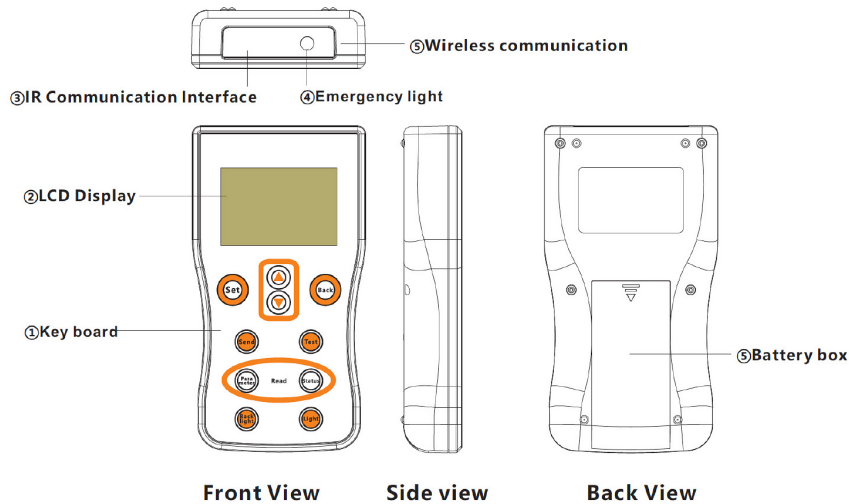
SEARCH CODE: SC43776



ELECTRICAL INFORMATION:

Solar Panel Wattage	5W							
Charging Time	8>Hours							
Operating Time	Normal Mode> 11 Hours, Intelligent Mode 2-3 Days							
Working Mode	Lighting Scheme	Time 1	Time 2	Time 3	Time4	Time 5	Energy Consumption	Working Hours In Rainy Day
	1 (Factory Default)	6H x 30%	0H x 100%	0H x 100%	TOT x 0%	1H x 30%	7.4Wh	4-5 Days
	2	6H x 30%	6H x 30%	0H x 100%	0H x 0%	0H x 100%	12.6Wh	3-4 Days
	3	6H x 50%	6H x 30%	0H x 100%	0H x 0%	0H x 100%	16.8Wh	2-3 Days
	4	4H x 70%	4H x 30%	4H x 30%	0H x 0%	0H x 100%	18.2Wh	1-2 Days
	5	4H x 100%	2H x 50%	0H x 100%	0H x 0%	0H x 100%	17.5Wh	2-3 Days
	6	2H x 50%	4H x 30%	0H x 100%	TOT x 20%	1H x 30%	12.3Wh	3-4 Days
	7	4H x 80%	2H x 30%	0H x 100%	TOT x 0%	1H x 80%	16.1Wh	2-3 Days

REMOTE CONTROL INSTRUCTIONS:



Key Name	Function	Long press key function
Set	Parameter setting/ confirmation	Press "Set" and "Light" key to lock or unlock the parameters
▲	1.Menu Page Up 2.Increase the setting data	Continuous increase the setting data
▼	1.Menu Page Down 2.Decrease the setting data	Continuous decrease the setting data
Back	Return to the menu / exit	Press "Set" and "Back" key to enter the communication selection interface
Send	Send Parameters	_____
Test	Test the setting	_____
Read	Parameter	Read Parameters
	Status	Read running status
Backlight	Turn on the LCD backlight	Press "Backlight" and "Back" key to enter or exit the transport mode
Light	1.Open the emergency lighting 2.SOS lights switch	Press "Light" and "Set" key to lock or unlock the parameters