

PROGRAMMABLE LED SOLAR STREET LIGHT

SEARCH CODE: SC10912



15W (Remote not included)



40W

FEATURES:

- Modern style
- No wires needed
- Motion sensor included to preserve the battery and extend light output
- Includes a remote to program / override default motion and brightness settings (Except 15W)
- High efficiency LED Driver
- Multiple working / brightness settings available for a wide variety of applications including: (Always On) and (Multiple Brightness Level)

INSTALLATION:

- Can be installed on a straight 2.5" diameter pole, curved pole or wall mounted (Pole / Arm not included)
- Must be installed in direct sunlight. Fixture cannot be covered in snow or shade

WARRANTY & LISTINGS:

- 3-year warranty
- IP 65 Waterproof
- 25,000 hour rated life

ELECTRICAL:

- PIR Sensor Angle: 120°
- Detection Area: up to 29 Feet
- Working Temperature: 0° - 113°F

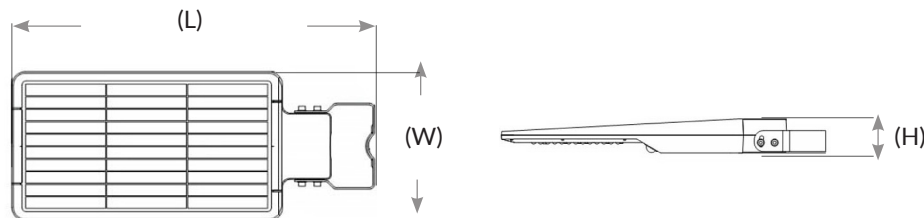
WORKING TIME:

- 3 Nights after a full charge with factory default motion sensor settings.

APPLICATION:

- Parking lot
- Driveway
- Yard

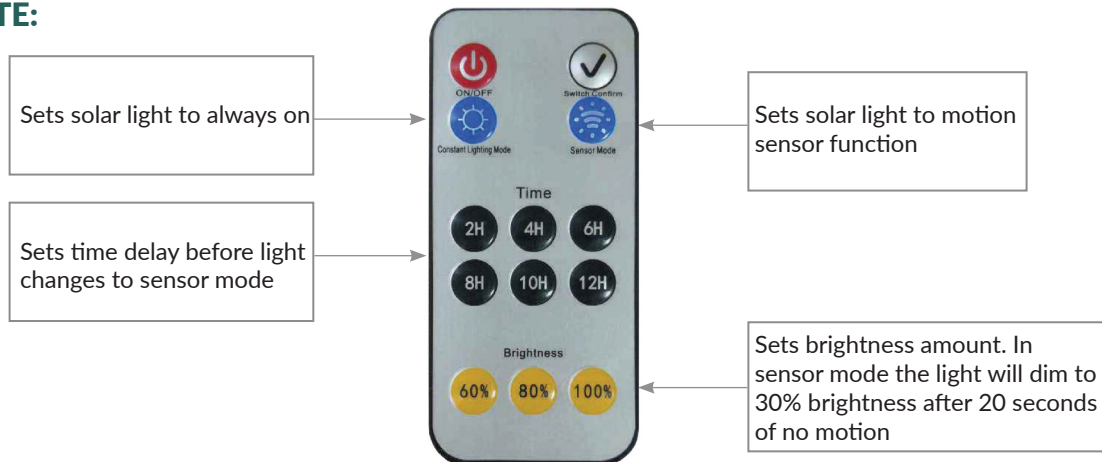
DIMENSIONS:



SPECIFICATIONS:

Product Code	Wattage	Lumens	Accessories	Mounting Height	Dimensions
SOL-DTD-15W-60K-PIR	15W	1,600LM	PIR Sensor	10 Feet - 12 Feet	19.5" (L) x 8.75" (W) x 2.25" (H)
SOL-DTD-40W-50K-REMOTE	40W	6,000LM	Remote Control	12 Feet - 16 Feet	28" (L) x 11" (W) x 3" (H)

40W REMOTE:



PROGRAMMABLE LED SOLAR STREET LIGHT

SEARCH CODE: SC10912

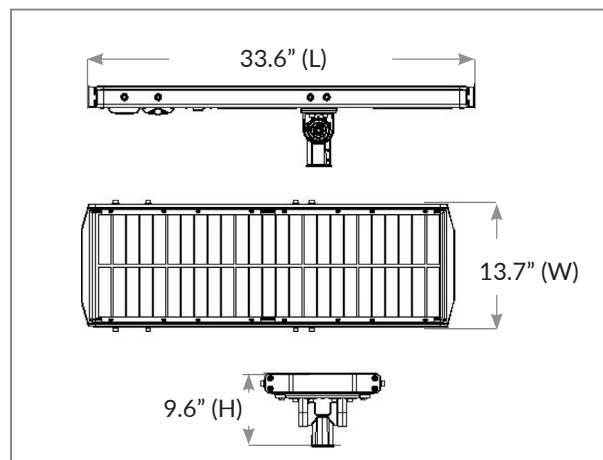


80W SPECIFICATIONS:

Lumens	12,000 LM
Power Output	80W
LEDs	SMD2835*241PCS
Beam Angle	104° X 70°
Installation Height	16 Feet - 20 Feet
Installation Spacing	49 Feet - 65 Feet
Lighting Area	582m ²
Adjustable Angle	0~90°
Charging Time	7 Hours
Lighting Time	Keep Lighting Mode: 35 hours Sensor Mode: 60 hours
PIR Sensor Range	Detection angle 120°; Detection distance: 26 Feet
IP Class	IP65
Housing Material	Aluminum, fireproof, anti-UV, anti oxidation
Working Temp	0° - 113°F
Packing	1* Lamp, 1* Remote Control, 1* User manual



DIMENSIONS:



REMOTE:

Operations of DIY Work Mode by Remote Control

After lamp is turned on, you can also use remote control to adjust demanded working mode.

<p>Remote control distances 8Mtrs</p>	ON	* Press the ON button to turn on the light fixture	<p>* These 7 keys (in gray background) are only used to adjust lighting time and brightness of Keep Lighting Mode.</p> <p>* Please press the 3H/5H/8H firstly, the lamp will enter Keep Lighting Mode automatically, then press ☀️ / 🌑 / + / - to set desired brightness .</p> <p>For example: Press 5H + ☀️ + - , lamp works as below: Lamp lights up at night and keeps 45% brightness for 5Hrs, after which lamp turns to Auto Sensor Mode.</p>
	OFF	* Press the OFF button, and the Light fixture will flash 3 times then turns off	
	AUTO	* Press the AUTO button and the Light enters auto sensor mode * Brightness and Lighting Time are not selectable under this option	
	3H 5H 8H	Lighting Time	
	☀️	60% brightness	
	🌑	30% brightness	
	+	The (+) adds 15% brightness by each press, with a Max of 60% brightness	
	-	The (-) removes -15% brightness by each press, with a Min of 15% brightness	

PROGRAMMABLE LED SOLAR STREET LIGHT

SEARCH CODE: SC10912

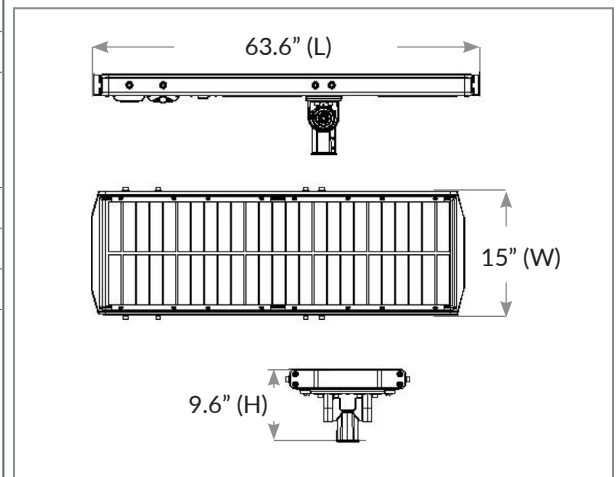


120W SPECIFICATIONS:

Lumens	18,000 LM
Power Output	120W
LEDs	SMD5050*63PCS
Beam Angle	104° X 70°
Installation Height	16 Feet - 26 Feet
Installation Spacing	49 Feet - 82 Feet
Effective Projection Surface	400m ²
Adjustable Angle	-90~ +90°
Charging Time	10-12 Hours
Working Time	Ranges 4-7 nights upon different working mode. Constant Lighting Mode: 4 nights Sensor Mode: 7 nights (based on 100 times motion detection)
PIR Sensor Range	Detection angle 150°; Detection Area: 49 Feet
IP Class	IP65
Housing Material	Aluminum
Working Temp	0° - 113°F



DIMENSIONS:



REMOTE:



Operation For Remote Control

1. Press the ON/OFF button on the light to activate the remote control.
2. The solar panel will charge when the light is turned off.
3. During only one working mode can be selected at a time.
4. Each time the Mode/Brightness/Hour button is pressed the light will flash once, indicating successful operation.
5. Press the ON/OFF button on the remote control, the light reacts as below.

ON/OFF button on the remote control	Day Time	Night Time
Press to turn ON	Light flashes once, then turns off	Light turns on directly
Press to turn OFF	Light flashes three times, then turns off	Light flashes three times, then turns off

Remote Control Distance: 39 Feet