

LED COMMERCIAL RECESSED LINEAR LIGHTS

SEARCH CODE: SC32980



FEATURES:

- Multi CCT & Multi Power (Selectable Switch On Back Of Fixture)
- Total lumens: 4400LM Max
- Soft and wide light-emitting
- Low profile modern design
- No infrared rays, no ultraviolet radiation, No thermal effect

MECHANICAL:

- White finish
- Earthquake hooks and suspension hooks pre-installed
- External driver mounted on top
- Operating temperature: 0-104°F

WARRANTY & LISTINGS:

- 5-year warranty
- ETL Certified
- Rated for 50,000 hours

ELECTRICAL:

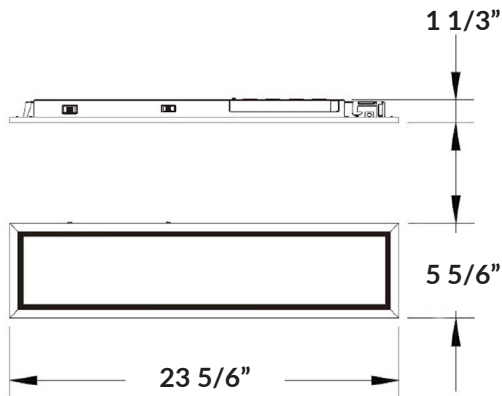
- Dimmable: 0~10V Dimming
- Color rendering Index: CRI ≥ 80
- Beam angle: 110°
- Surge protector: 1KV, 2.5KV

APPLICATION:

- Restaurants
- Offices
- Storage Rooms
- Hotels
- Retail Outlets

DIMENSIONS:

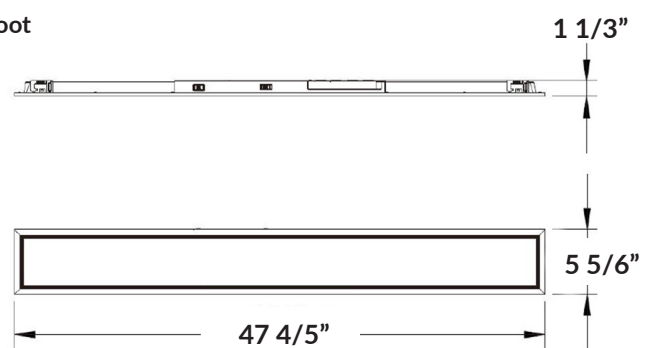
2 Foot



23 5/6"(L) x 5 5/6"(H) x 1 1/3"(D)

DIMENSIONS:

4 Foot



47 4/5"(L) x 5 5/6"(H) x 1 1/3"(D)

SPECIFICATIONS:

Product Code	Wattage	Lumens	Color Temperature	Size
RCL020MW-MCT	20W/15W/10W	2200LM Max	Color Selectable 35K,40K,50K	2 Foot
RCL040MW-MCT	40W/30W/20W	4400LM Max	Color Selectable 35K,40K,50K	4 Foot