

Modern LED Bollards

Search Code: SC12908



FEATURES

- **Durable Construction:** lens free with a Die-Cast Aluminum housing and has a Corrosion resistant exterior.
- **Mounting bolt included.**
- **LED's:** Lumileds2835 LED.
- **Finish:** Bronze.
- **Top heads are interchangeable.**
- **Selectable zone lighting controlled by dip switch.**
- **IP65 and IK10 Rated.**
- **3 Head shapes:** Y shape, Cone Shape, and Split Cone Shape.
- **Wattage adjustable:** 24W, 19W, 14W.
- **Color selectable:** Available in 3000K Soft White, 4000K Cool White, and 5000K Daylight.
- **Scalable Lumens:** Ranging from 1400LM - 3000LM.
- **Standard 0-10V dimming.**
- **Long Lifespan:** Rated for up to 50,000 operational hours.

ELECTRICAL

- **Voltage:** Input Voltage 120-277VAC, 120-347VAC.
- **CRI:** >70.
- **Power Factor:** >0.9.
- **LPW:** 125lm/W
- **Operating Temperature:** 0°F - 113°F.



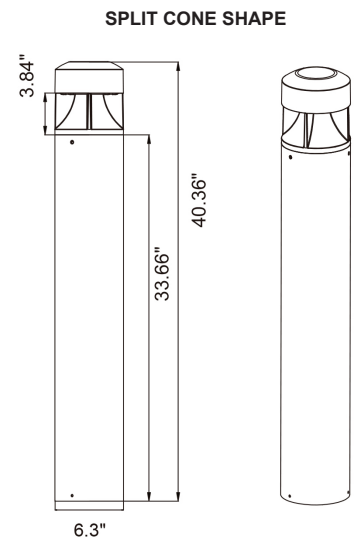
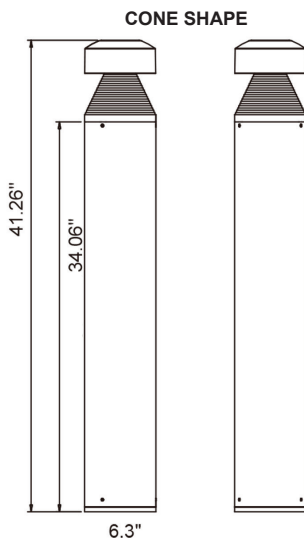
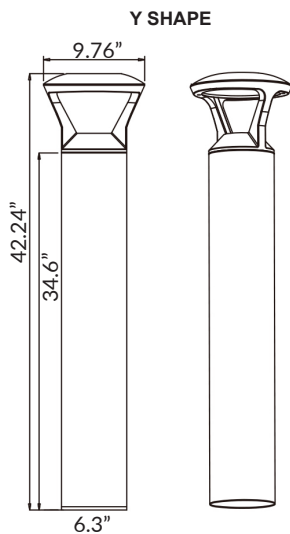
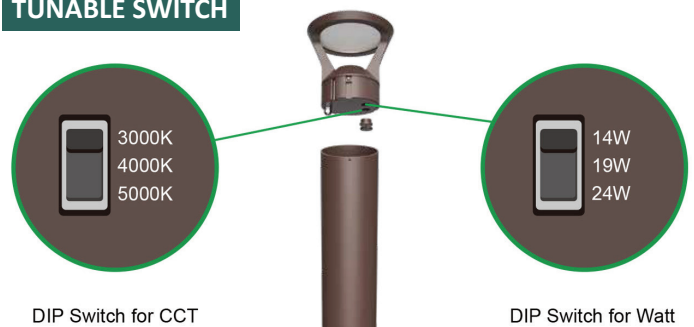
WARRANTY & LISTINGS

- **Warranty:** 5 years (50,000 operational hours).
- **Certifications:** UL Listed, IP65, IK10 Rated, DLC, FCC Certified.

APPLICATION

- **Pathway Lighting.**
- **Landscape Lighting.**
- **Driveway and Parking Lot Lighting.**
- **Campus Lighting.**
- **Public Parks.**

TUNABLE SWITCH



ORDERING INFORMATION

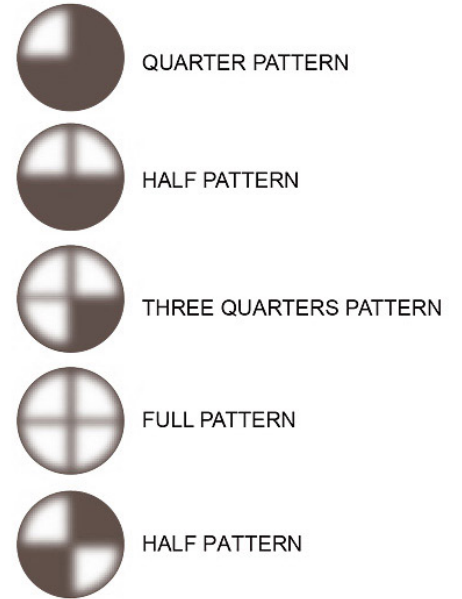
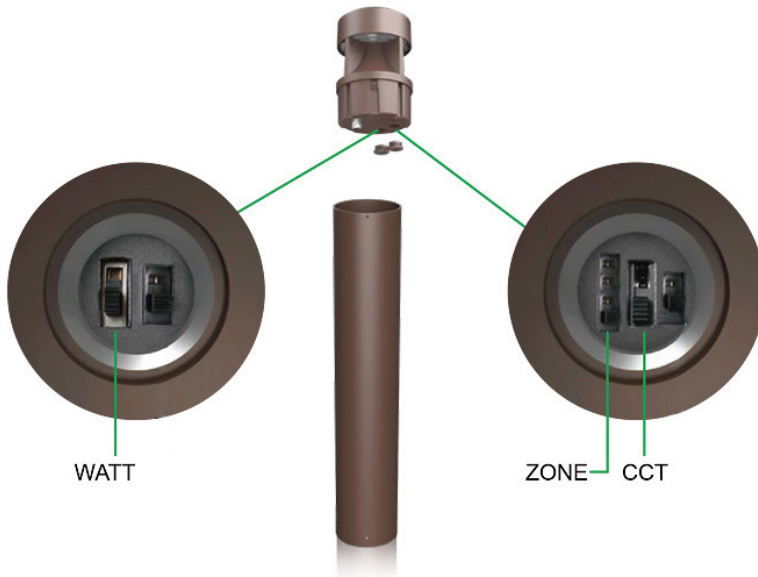
Product Code	Style	Wattage	Color Temperature	Lumens
9211DCBZ24MW-MCT-K	Lens Free Y Shaped Head	Tunable 24W/19W/14W	Select 30K/40K/50K	3000L/2300L/1750L
9211DCBZ24MW-G4-MCT-K	Lens Free Cone Head	Tunable 24W/19W/14W	Select 30K/40K/50K	2400L/1900L/1400L
9211DCBZ24MW-G6-MCT-K	Lens Free Split Cone Head	Tunable 24W/19W/14W	Select 30K/40K/50K	2400L/1900L/1400L

Modern LED Bollards

Search Code: SC12908



SELECTABLE ZONE LIGHTING



PHOTOMETRICS

