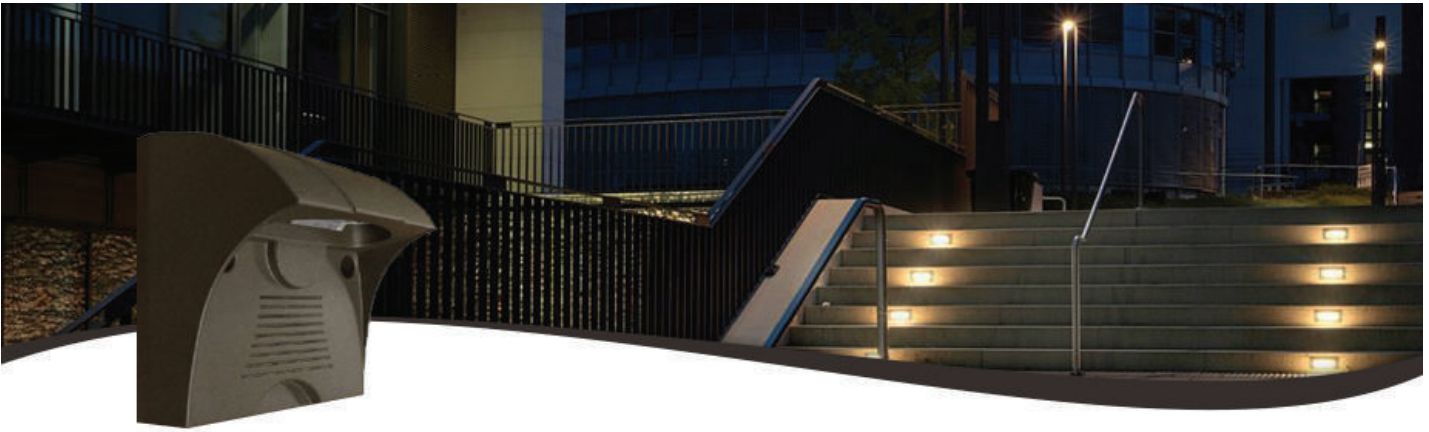


LED STEP LIGHTS



Features



Performance

- Die-cast aluminum with powder coat finish (Dark Bronze), optimized for LED
- Polycarbonate front housing and prismatic lens provide vandal resistance
- Four 1/2" HUB
- LED Philips Lumileds LEDs
- Voltage: 100~277V AC, 50/60Hz
- CRI: >80
- Power Factor: 95%
- Operating Temp: -4 F to 104 F
- 70,000 hour rated life
- 7 year warranty
- Suitable for Wet Locations, IP54

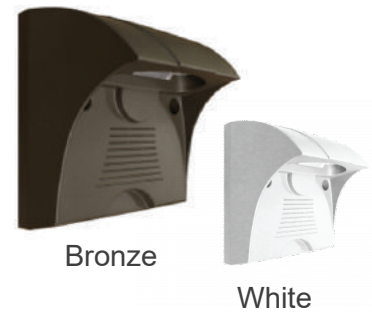
Applications

- Ideal for general site lighting, alleys, loading docks, doorway and parking areas.
- Great for use with photocell

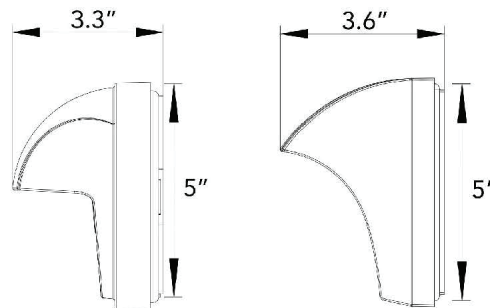
Round



Square



Dimensions



LED Wall / Step Light Specifications

Bronze	White	Watts	Lumens	Color Temp	Shape
WMS-S-50K-BR	WMS-S-50K-WH	6W	4400LM	5000K	Square
WMS-S-30K-BR	WMS-S-30K-WH	6W	4400LM	3000K	
WMS-R-50K-BR	WMS-R-50K-WH	6W	4400LM	5000K	Round
WMS-R-30K-BR	WMS-R-30K-WH	6W	4400LM	3000K	



WMS-POST1-18
WMS-POST2-18



WMS-POST1-36
WMS-POST2-36

LED Mounting Post Specifications

Product Code	Description	Dimensions
WMS-POST1-18	18" One Side post for WMS series	18"(H) X 5"(L) X 2.3"(W)
WMS-POST2-18	18" Two Side post for WMS series	
WMS-POST1-36	36" One Side post for WMS series	36"(H) X 5"(L) X 2.3"(W)
WMS-POST2-36	36" Two Side post for WMS series	