

LED Square Stadium Lights

Search Code: SC65648



FEATURES

- Strong and durable sealed die-casting profile for outdoor applications.
- Low profile, compact design minimizes wind load requirements.
- Housing is completely sealed against moisture and environmental contaminants.
- Trunnion bracket included.
- Color selectable: 4000K Cool White, 5000K and 5700K Daylight.
- IP65 Wet Location Rated.
- Scalable Lumen Packages from 125000 to 18000 Lumens.
- Standard 0-10V dimming driver(s).
- Beam Angle: 46-70 degrees both horizontal and vertical.
- Long Lifespan: Rated for up to 50,000 operational hours.

APPLICATION

- Outdoor Sport Stadiums.
- Parking Lots.
- Exhibition Centers.
- Airport Apron.



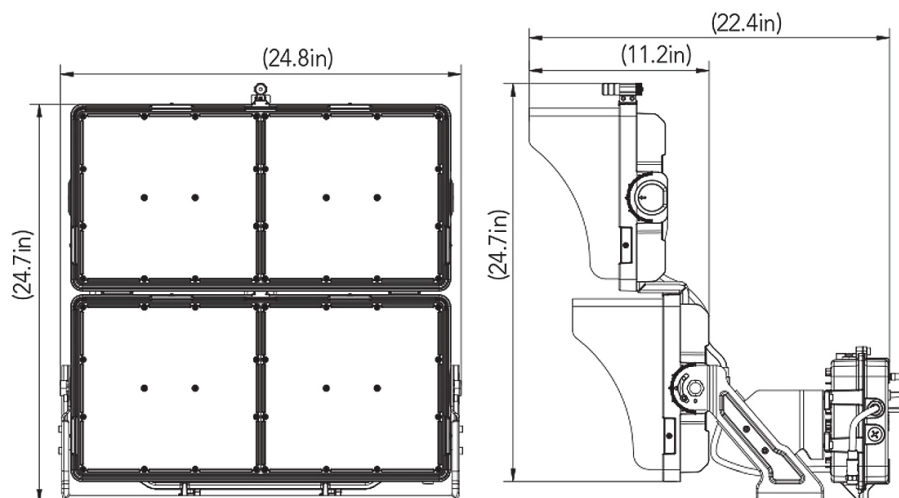
WARRANTY & LISTINGS

- Warranty: 5 years (50,000 operational hours).
- Certifications: UL Listed, IP65.

ELECTRICAL

- Voltage: 200-480VAC input voltage.
- Built in surge suppression with max 40KV.
- EPA Rating: 3.3821 sq ft. Each stadium light fixture has an Effective Projected Area (EPA) of 3.3821 square feet.
- THD: 15%
- Operating Temperature Range: -40°F to 122°F
- Power Factor: $\leq 15\%$
- CRI: 70 (4000K), 80 (5000K), 90 (5700K)
- Optional extension cable available per special request.
Call our sales team to special order.

DIMENSIONS



ORDERING INFORMATION

Product Code	Wattage	Lumens	Color Temperature
6604-850HO-TR-480V	850W	125000 Lumens	Selectable 4000K/5000K/5700K
6604-1200HO-TR-480V	1200W	180000 Lumens	Selectable 4000K/5000K/5700K

LED Wide Beam Canopy Light Fixture

Search Code: SC65645



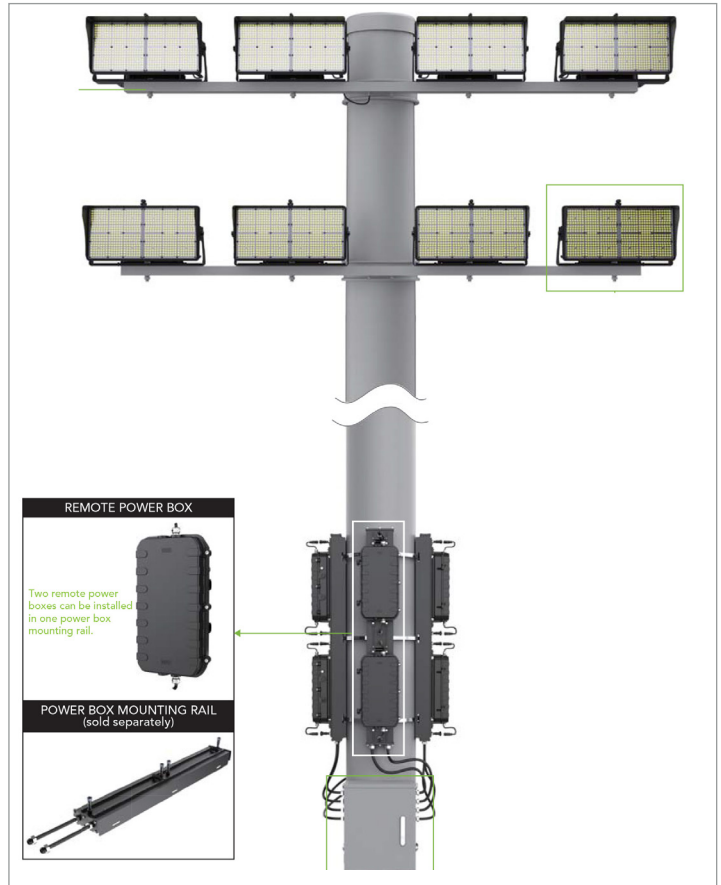
POWER BOX DISPLAY

Optional attachment to secure power box directly to fixture.
(Speak with our sales team for more info).



MOUNTING RAIL DISPLAY

Optional mounting rail can be added to hold 2 remote power boxes and attached to the pole, providing access to mount more lights in one application. (Speak with our sales team for more info).



ACCESSORY OPTIONS



Mounting Rail



Power Box Attachment



Slipfitter Bracket



Square Mounting Bracket

PHOTOMETRICS

Optics
Available in NEMA 4Hx4V distribution.

