

LED FLOOD LIGHT FIXTURES



Certification



Description

- LED type/brand: Philips Lumileds LEDs
- Total lumens: 1500, 3000, and 5000lm
Up to 100 lumens per watt
- Dimmable: No
- Color temperature: 5000K
- Color rendering index: 82 ~ 84
Beam angle: 104°
- Operating temperature: -20°C (-4°F) to 40°C (104°F)
- 100% dip-tested under load
- Voltage: 120~277 volts, 60Hz AC
- Other wattages: 15W, 30W, 45W
- Power factor: .9~.97
- Die-cast aluminum with powder coat finish (Dark Bronze)

Application

- Great for use with motion sensors or other instant on/off controls

Dimensions

15W - 4.7x 2.9 x 1.2in

30W - 7.8 x 4.4 x 1.6in

45W - 8.2 x 5.1 x 5.15 x 2 in

Yoke



Knuckle



Mounts to landscape post or any 1/2" hub



Easily mounts to 1/2" hub on weatherproof box

Specifications

Product #	Watts	Mounting Option	Lumens	Input Voltage	Color Temp
LFP15LEDMV-50-KN	15W	Knuckle	1500	120 ~ 277V	5000K
LFP30LEDMV-50-KN	30W	Knuckle	3000	120 ~ 277V	5000K
LFP45LEDMV-50-KN	45W	Knuckle	5000	120 ~ 277V	5000K
LFP15LEDMV-50-TR	15W	Yoke	1500	120 ~ 277V	5000K
LFP30LEDMV-50-TR	30W	Yoke	3000	120 ~ 277V	5000K
LFP45LEDMV-50-TR	45W	Yoke	5000	120 ~ 277V	5000K

Features

Certification



Description

- Housing: Die-cast aluminum with powder coat finish (Dark Bronze)
- Voltage: 120~277 volts, 60Hz AC
- Philips Lumileds LEDs
- Power factor: .9~.97
- Operating temperature: -20°C (-4°F) to 40°C (104°F)
- 100 lumens per watt
- 100% dip-tested under load
- CRI: 82 ~ 84
- Beam angle: 110°
- 5-year warranty
- 50,000 hours rated life
- Suitable for wet locations, IP65
- Dimmable
- 1/2" knockout for photocell or sensor installation
- Solid state lighting technology for long life, low maintenance and high efficiency

Application

- Ideal for general site lighting, alleys, loading docks, doorways, pathway, parking areas.
- Replace existing HID flood lights/wallpacks
- Great for use with motion sensors or other instant on/off controls

Dimension

100W - 16.5"(H) x 12.6 (W)

150W - 16.5"(H) x 12.6 (W)

100W FLOOD LIGHT FIXTURES

Available in 4 Mounting Options (**Field Install**)

Yoke Mount



Adjustable U-Shaped Yoke Mount 5"(L) X 4"(H) With 20" Wire & Strain Relief Connector

Slipfitter Mount



Adjustable Slip Fitter For Pole Mount 2"~2-1/2", With K/O To Install PC Or Sensor

Extension Arm



Straight Extension Arm For Shoe Box Application, With K/O To Install PC Or Sensor

Street Light Arm



Street Light Arm 6" Long With 20" Wire And Strain Relief Connector

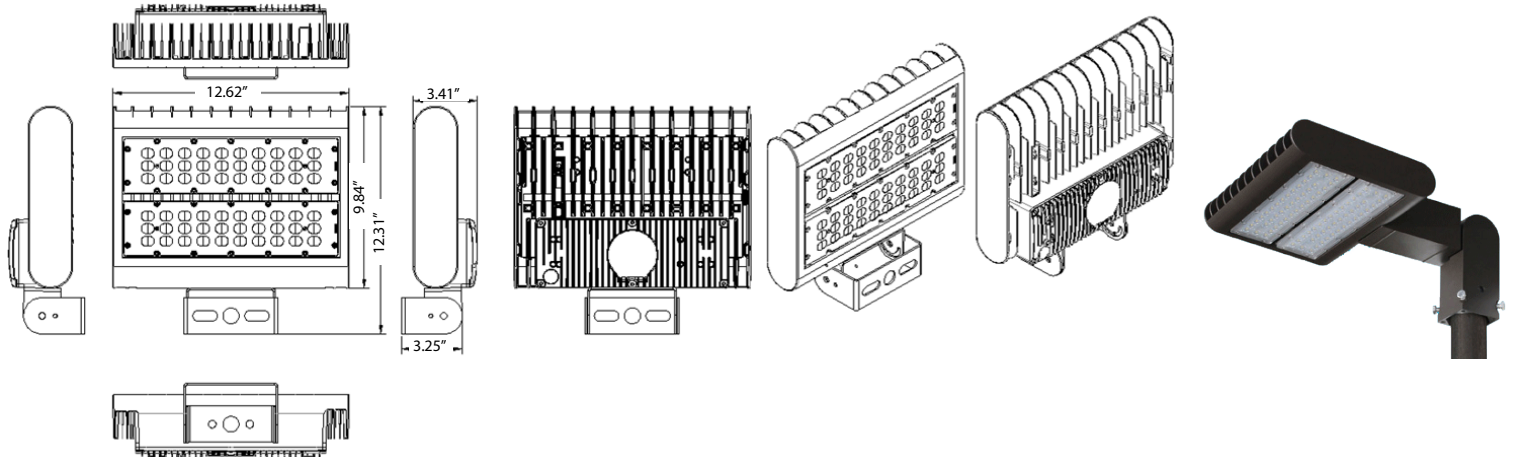
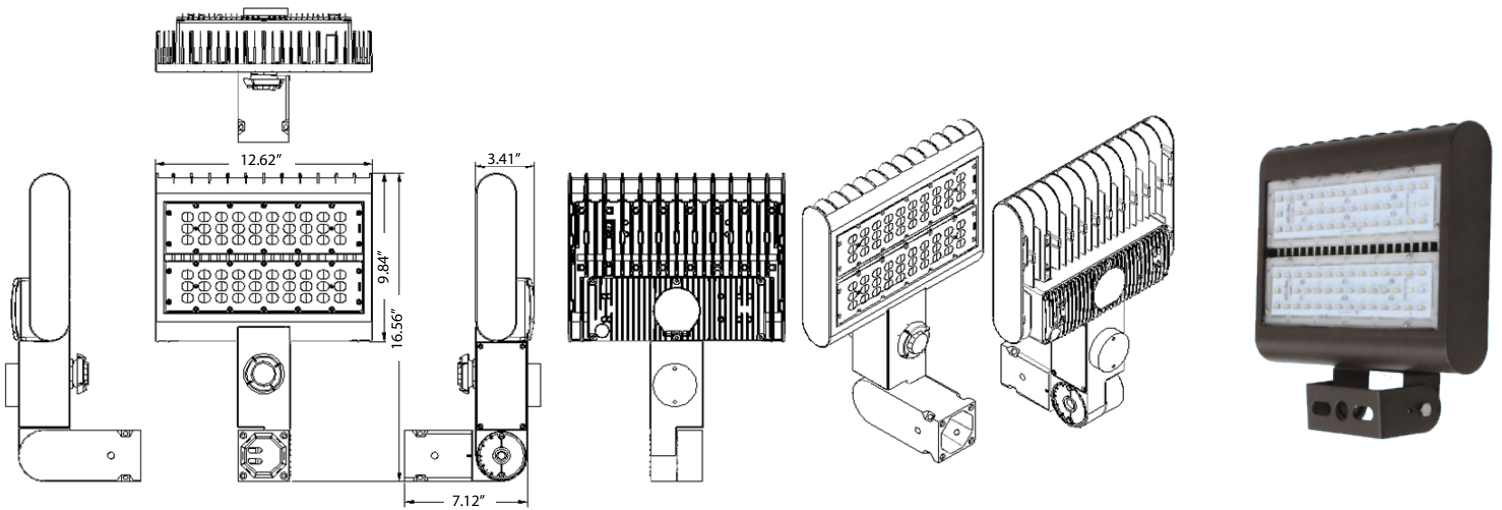
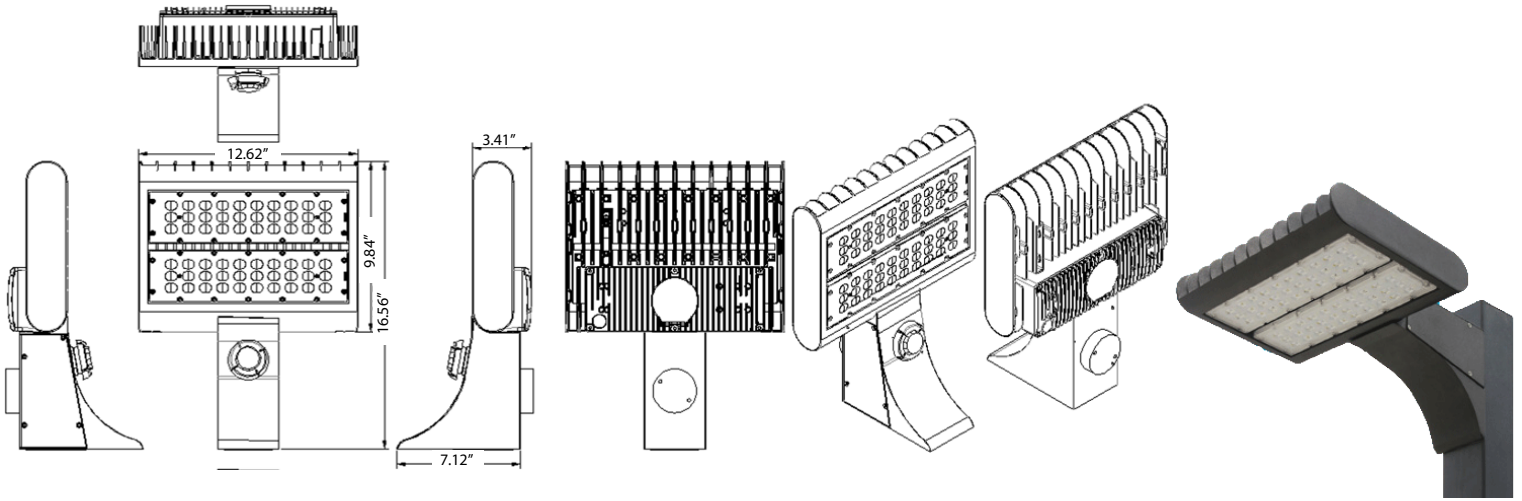
100W Specifications

Product #	Watts	Mounting Option	Lumens	Input Voltage	Color Temp
LFP100LEDMV-50-SF	100W	Slipfitter	10,000	120-277V	5000K
LFP100LEDMV-50-TR	100W	Yoke	10,000	120-277V	5000K
LFP100LEDMV-50-EXTARM	100W	Extension Arm	10,000	120-277V	5000K
LFP100LEDMV-50-STR	100W	Street Light Arm	10,000	120-277V	5000K

150W FLOOD LIGHT FIXTURES

150W Specifications

Product #	Watts	Mounting Option	Lumens	Input Voltage	Color Temp
LFP150LEDMV-50-SF	150W	Slipfitter	15,000	120-277V	5000K
LFP150LEDMV-50-TR	150W	Yoke	15,000	120-277V	5000K
LFP150LEDMV-50-EXTARM	150W	Extension Arm	15,000	120-277V	5000K
LFP150LEDMV-50-STR	150W	Street Light Arm	15,000	120-277V	5000K



Features

Certification



Description

- Housing: Die-cast aluminum with powder coat finish (Dark Bronze)
- Voltage: 120~277 volts, 60Hz AC
- Philips Lumileds LEDs
- Power factor: .9~.97
- Operating temperature: -20°C (-4°F) to 40°C (104°F)
- 100 lumens per watt
- 100% dip-tested under load
- CRI: 82 ~ 84
- Beam angle: 110°
- 5-year warranty
- 50,000 hours rated life
- Suitable for wet locations, IP65
- Dimmable
- 1/2" knockout for photocell or sensor installation
- Solid state lighting technology for long life, low maintenance and high efficiency

Application

- Ideal for general site lighting, alleys, loading docks, doorways, pathway, parking areas.
- Replace existing HID flood lights/wallpacks
- Great for use with motion sensors or other instant on/off controls

Dimensions

220W - 19.4"(H) x 12.6 (W)

300W - 19.4"(H) x 12.6 (W)

220W FLOOD LIGHT FIXTURES

Available in 4 Mounting Options (**Field Install**)

Yoke Mount



Adjustable U-Shaped Yoke Mount 5"(L) X 4"(H) With 20" Wire & Strain Relief Connector

Slipfitter Mount



Adjustable Slip Fitter For Pole Mount 2"~2-1/2", With K/O To Install PC Or Sensor

Extension Arm



Straight Extension Arm For Shoe Box Application, With K/O To Install PC Or Sensor

Street Light Arm



Street Light Arm 6" Long With 20" Wire And Strain Relief Connector

220W Specifications

Product #	Watts	Mounting Option	Lumens	Input Voltage	Color Temp
LFP220LED MV-50-SF	220W	Slipfitter	20,000	120-277V	5000K
LFP220LED MV-50-TR	220W	Yoke	20,000	120-277V	5000K
LFP220LED MV-50-EXTARM	220W	Extension Arm	20,000	120-277V	5000K
LFP220LED MV-50-STR	220W	Street Light Arm	20,000	120-277V	5000K

300W FLOOD LIGHT FIXTURES

300W Specifications

Product #	Watts	Mounting Option	Lumens	Input Voltage	Color Temp
LFP300LED MV-50-SF	300W	Slipfitter	30,000	120-277V	5000K
LFP300LED MV-50-TR	300W	Yoke	30,000	120-277V	5000K
LFP300LED MV-50-EXTARM	300W	Extension Arm	30,000	120-277V	5000K
LFP300LED MV-50-STR	300W	Street Light Arm	30,000	120-277V	5000K

