

LED DUSK-TO-DAWN FIXTURE



Features



Performance

- 50,000 Hours Of Maintenance-Free Operation To L70
- Operating Temperature Range -22°F To 104°F
- 5 Year Warranty

Construction & Materials

- Durable Die-Cast Aluminum Housing.
- Grey Polyester Powder-Coat Finish For Extra Corrosion Protection.
- Mount Directly Or With Included Mounting Arm.
- Mounting Arm Diameter: 1.6875

Electrical

- Non-Dimmable 120V / 277V Operation
- Twist-Lock Photocell Included

Accessories



Dimensions

Bronze



16" (L) x 9" (W) x 15.5" (H)
Silver or Bronze

Silver



16" (L) x 9" (W) x 15.5" (H)
Silver or Bronze

Dimensions With Mounting Arm
23" (L) x 9" (W) x 17" (H)

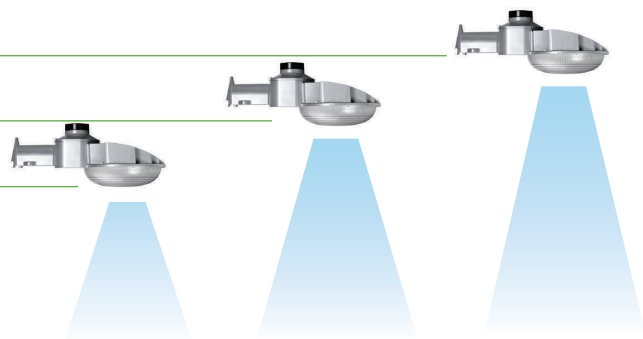
Specifications

Wattage	Lumens	Color Temp	CRI	Replaces	Voltage	Hours
45W	4,927	5000K Daylight	>72	100W MH	120V - 277V	50,000 Hours
70W	7,000	5000K Daylight	>72	175W MH	120V - 277V	50,000 Hours
80W	10,000	5000K Daylight	>72	250W MH	120V - 277V	50,000 Hours

80W - For 25-55 Feet

70W - For 25-45 Feet

45W - For 15-25 Feet



DUSK TO DAWN LED

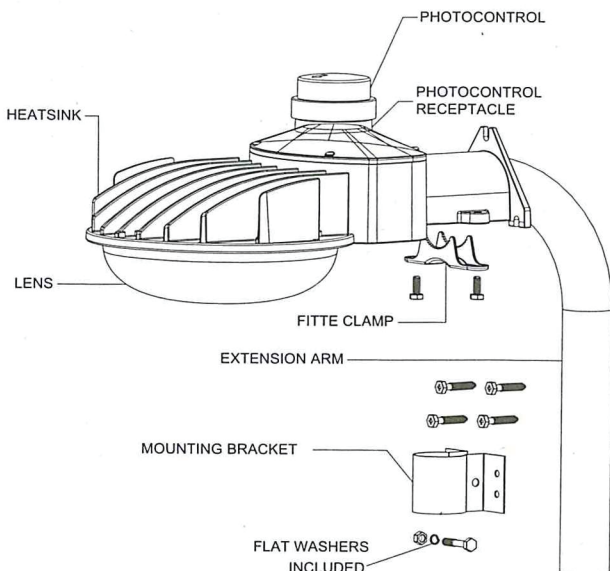
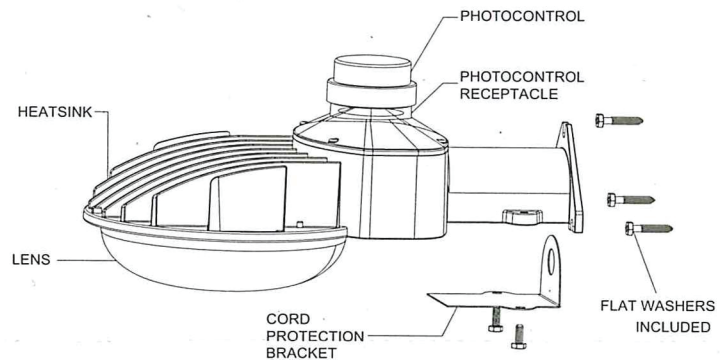
Installation Guide

WARNING

1. Turn power off before inspection, installation or removal.
2. The installation should be performed by qualified electricians or lighting technicians.
3. Before conducting any installation, maintenance, or removal, disable all power to the luminaires and wait until the fixture cool down.
4. Do not touch the fixture while it is in service.
5. If there is any problem with the fixture, DO turn off power and DO NOT attempt repair unless you are a qualified technician or the customer service member.

Wall Mounting

1. Place mounting section of fixture onto desired mounting surface, mark and drill holes for mounting.
2. Mount the fixture with bolts provided. Install the two bottom screws first. Place the fixture on the two bottom screws and install the top screw. Tighten the top screw first and then tighten the remaining screws.
3. Make wiring connections in the fixture. (White to Neutral lead, Black to Line lead, Yellow Green to Ground lead)
4. Put the cord protection bracket back on the fixture and fix it with screws provided.
5. Plug the twisted photocontrol or shorting cap into photocontrol receptacle.
6. Installation is completed



Arm Mounting

1. Install wall mounting bracket onto the wall with screws provided.
2. Insert arm into mounting bracket and secure it with carriage screws.
3. Feed supply wires through arm and make wiring connections in the fixture.
(White to Neutral lead, Black to Line lead, Yellow Green to Ground lead)
4. Secure the fixture on the arm with fitter clamp and screws provided.
5. Plug the twisted photocontrol or shorting cap into photocontrol receptacle.
6. Installation is completed