

LED SWIVEL POST TOP

QUICK SEARCH: SC11365



FEATURES:

- Aluminum housing with dark bronze powder coat finish.
- 1-10vdc dimming drivers, which provide 10% continuous dimming
- Universal 120-277 AC voltage (50-60Hz) is standard.
- Power factor > 0.90.
- Easy installation in new construction or retrofit applications.



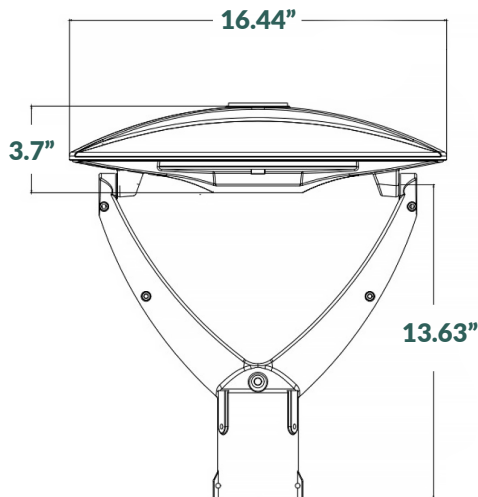
LIGHTING:

- 10,000 lumens
- Color selectable: 3000K Soft White, 4000K Cool White, and 5000K Daylight

APPLICATION:

- Great for parking lots or large walkways and parks. With a clean modern design, this powerful LED technology is designed for outdoor use as an efficient, yet inexpensive replacement for old fashioned metal halide post lights.

DIMENSIONS:



WARRANTY & LISTINGS:

- 5-year warranty
- cULus
- Wet Rated
- DLC
- 50,000 hour rated life
- RoHS

ELECTRICAL:

- Voltage: 120-277 AC Voltage
- Total harmonic distortion < 20%

MECHANICAL:

- Indoor or outdoor fixture: Outdoor
- Operating temp: -30°C to 45°C (-22°F to 113°F)
- Fits on a 2.5 inch diameter post



SPECIFICATION:

Product Code	Wattage	Lumens	Color Temperature	Dimensions	Voltage
7618CLB80-LLED-MCT	80W	10,000 LM	Color Selectable 30K/40K/50K	13.63"(H) x 16.44"(W)	120-277 AC voltage