

LED LOW VOLTAGE FLOOD LIGHTS

QUICK SEARCH CODE: SC10504



FEATURES:

- Optical polycarbonate lens
- Anti-UV and fire resistant
- 120° x 90° beam angle
- Housing: Cast aluminum with powder coat finish (Bronze)
- Mounting: 1/2" Threaded Knuckle Stem
- Choose between 3000K soft white and 5000K daylight
- Solid State Lighting Technology for Long Life, No Maintenance Needed and High-Efficiency



Front



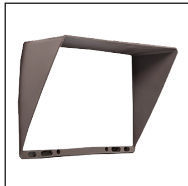
Side

APPLICATION:

- Gardens
- Landscaping
- Parks

ACCESSORIES:

- Shroud
- Wall Mount
- Stake



WARRANTY & LISTINGS:

- 5-year warranty
- UL / CUL Listed
- Wet Location Rated
- DLC

ELECTRICAL:

- Voltage: 12V AC/DC
- Operating Temp: 0 to 104°F
- CRI: >80
- Power Factor: >0.95
- Lifespan: 50,000 hours
- High Conductive Aluminum LED Board
- LED: Philips LUMILEDs (Non dimmable)

SPECIFICATION:

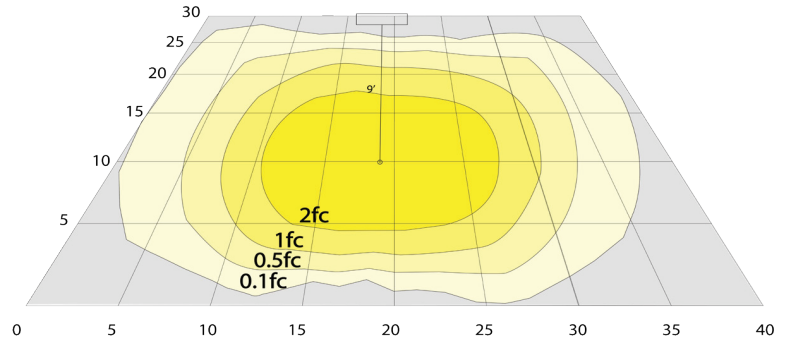
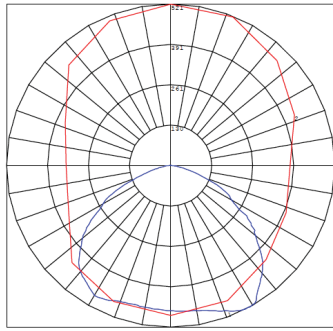
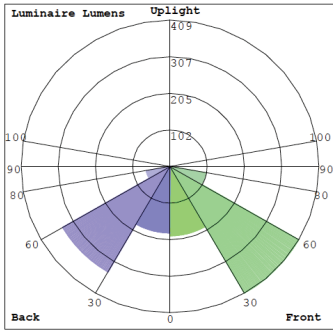
Wattage	Lumens	Equivalency	Color Temperature	Mount
6 Watt	500LM	50 INC	5000K Daylight 3000K Soft White	1/2 Knuckle Mount
12 Watt	1,080LM	100 INC	5000K Daylight 3000K Soft White	1/2 Knuckle Mount
24 Watt	2,155LM	100 HID	5000K Daylight 3000K Soft White	1/2 Knuckle Mount
30 Watt	2,700LM	150 HID	5000K Daylight 3000K Soft White	1/2 Knuckle Mount
50 Watt	5,250LM	250 HID	5000K Daylight 3000K Soft White	1/2 Knuckle Mount

LED LOW VOLTAGE FLOOD LIGHTS

QUICK SEARCH CODE: SC10504



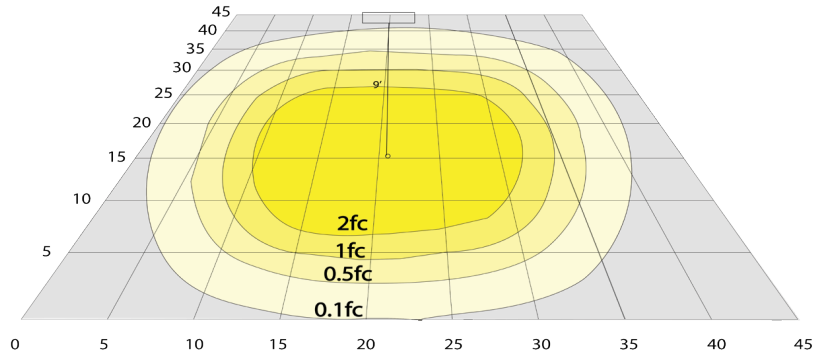
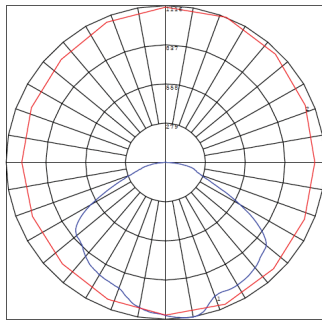
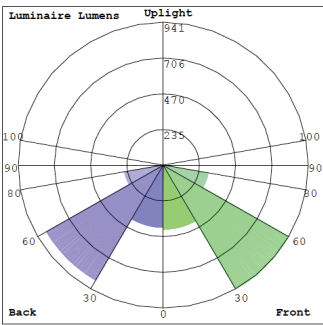
6W & 12W PHOTOMETRICS:



BUG Rating: B1-U1-G0

Area 30'x 40' Mounting Height: 9'

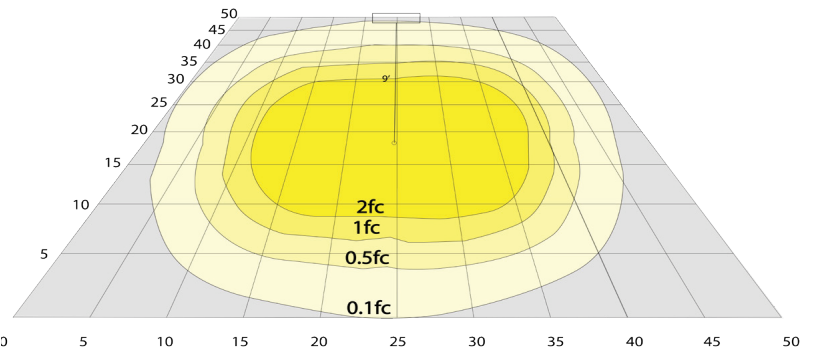
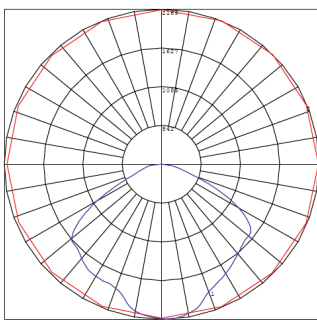
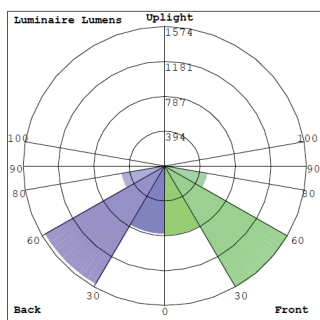
24W & 30W PHOTOMETRICS:



BUG Rating: B1-U1-G1

Area 45'x 45' Mounting Height: 9'

50W PHOTOMETRICS:



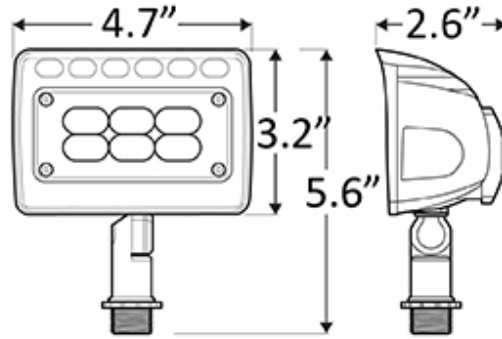
BUG Rating: B2-U1-G1

Area 50'x 50' Mounting Height: 9'

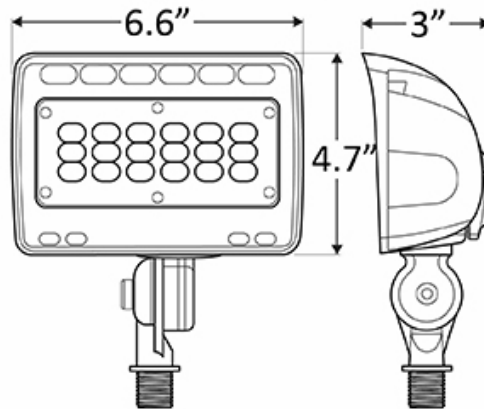
LED LOW VOLTAGE FLOOD LIGHTS

QUICK SEARCH CODE: SC10504

6W & 12W DIMENSIONS:



24W & 30W DIMENSIONS:



50W DIMENSIONS:

