

LED LANDSCAPE FLOOD SECURITY LIGHTS

SEARCH CODE: SC10408

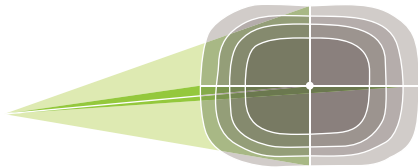


FEATURES:

- Die-cast aluminum housing
- Durable powder coat finish
- Polycarbonate lens
- Vented housing isolates LED modular from driver
- Vertical and horizontal illumination
- Heat and impact resistant
- Color Temperature: 5000K Daylight and 3000K Soft White
- Mounting Option: 1/2" NPS Knuckle and Trunnion

PHOTOMETRICS:

- Vertical and horizontal illumination



WARRANTY & LISTINGS:

- 5-year warranty
- UL / CUL Listed
- Wet Location
- DLC

ELECTRICAL:

- 0-10V Dimming Option
- Lifespan: 50,000 hours
- Voltage: Universal 120-277 VAC
- Power factor: 0>90%
- THD: <20%

MOUNTING:



Knuckle



Trunnion



Slipfitter

SPECIFICATIONS:

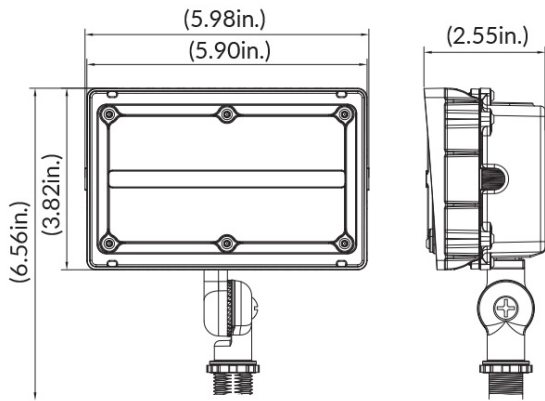
Product Code	Wattage	Replaces	Lumens	Color Temperature	Mount
6602-12CW-TR	12W	50W MH	1,300LM	5000K Daylight	Trunnion
6602-12CW-KN	12W	50W MH	1,300LM	5000K Daylight	Knuckle
6602-12WW-TR	12W	50W MH	1,300LM	3000K Soft White	Trunnion
6602-12WW-KN	12W	50W MH	1,300LM	3000K Soft White	Knuckle
6602-30CW-KN	27W	100W MH	3,300LM	5000K Daylight	Knuckle
6602-30WW-TR	27W	100W MH	3,300LM	3000K Soft White	Trunnion
6602-27CW-TR	27W	100W MH	3,300LM	5000K Daylight	Trunnion
6602-30WW-KN	27W	100W MH	3,300LM	3000K Soft White	Knuckle
6602-50CW-TR	50W	150W MH	6,000LM	5000K Daylight	Trunnion
6602-50WW-TR	50W	150W MH	6,000LM	3000K Soft White	Trunnion
6602-50WW-KN	50W	150W MH	6,000LM	3000K Soft White	Knuckle
LF4-50W-50K-D-KN	50W	150W MH	6,000LM	5000K Daylight	Knuckle
LED2375U90/685K	70W	175W MH	8,500LM	5000K Daylight	Trunnion
6602-100CW-TR	100W	250W MH	13,300LM	5000K Daylight	Trunnion
6602-100CW-SF	100W	250W MH	12,000LM	5000K Daylight	Slipfitter
6602-100WW-SF	100W	250W MH	12,000LM	3000K Soft White	Slipfitter
6602-150CW-SF	135W	400W MH	17,000LM	5000K Daylight	Slipfitter
6602-150CW-TR	135W	400W MH	17,000LM	5000K Daylight	Trunnion

LED LANDSCAPE FLOOD LIGHTS

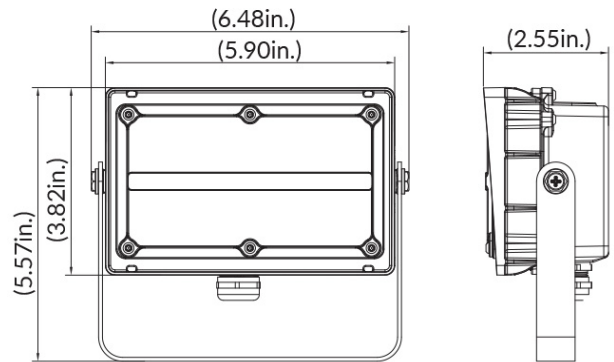
SEARCH CODE: SC12431



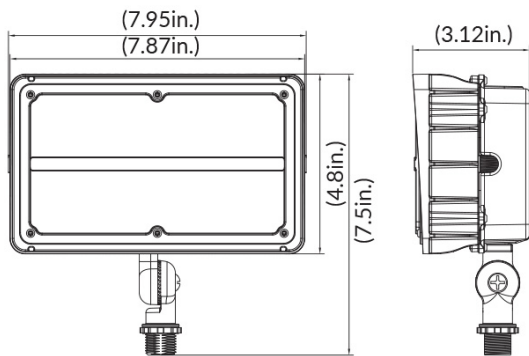
DIMENSIONS: 12W & 27W (Knuckle Mount)



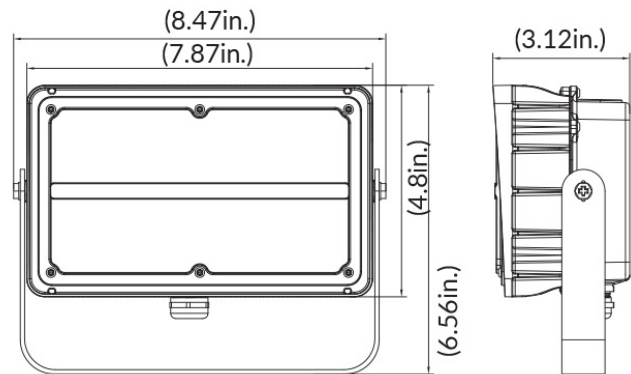
DIMENSIONS: 12W & 27W (Trunnion Mount)



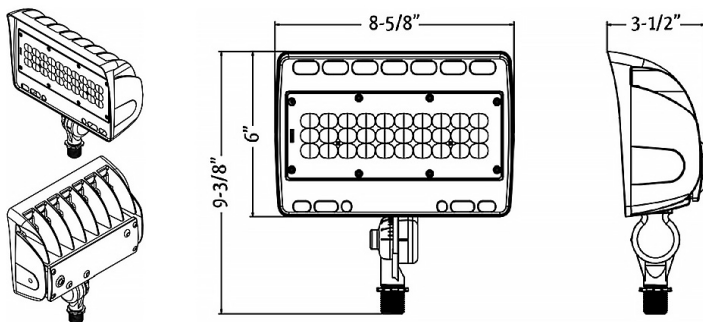
DIMENSIONS: 45W & 70W (Knuckle Mount)



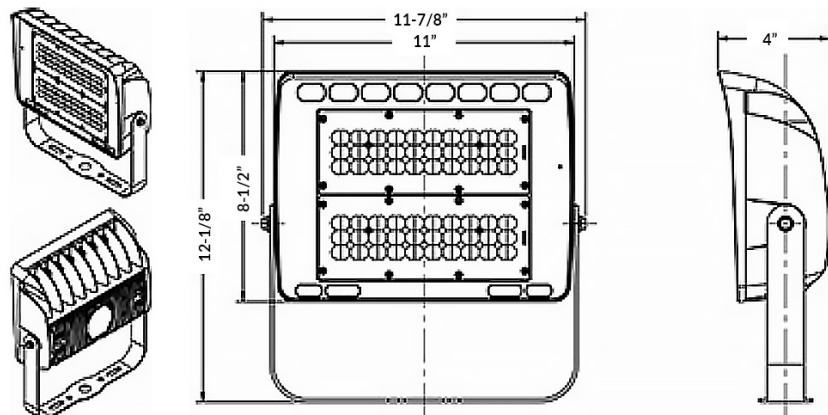
DIMENSIONS: 45W & 70W (Trunnion Mount)



DIMENSIONS: 50W (Knuckle Mount)



DIMENSIONS: 100W (Trunnion Mount)

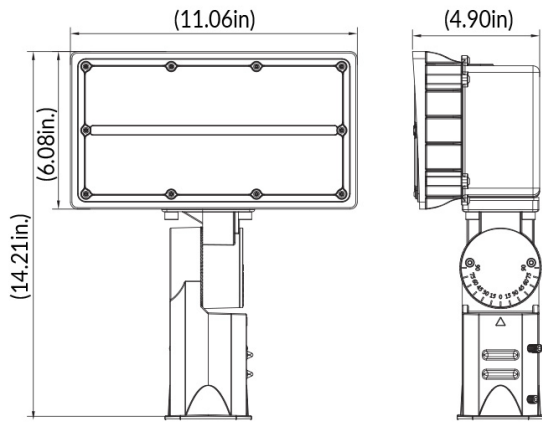


LED LANDSCAPE FLOOD LIGHTS

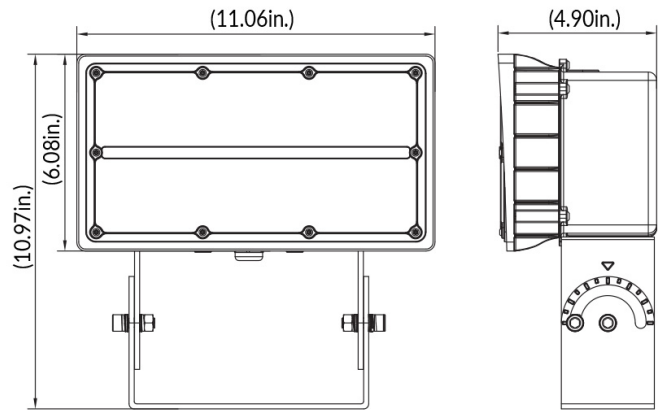
SEARCH CODE: SC12431



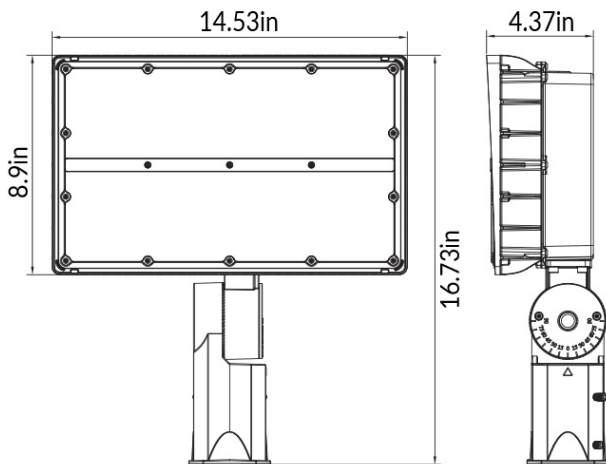
DIMENSIONS: 100W (Slipfitter Mount)



DIMENSIONS: 100W (Trunnion Mount)



DIMENSIONS: 135W (Slipfitter Mount)



DIMENSIONS: 135W (Trunnion Mount)

