






LED LINEAR HIGH BAY



90W

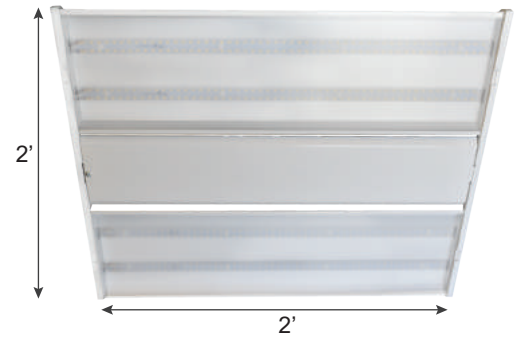
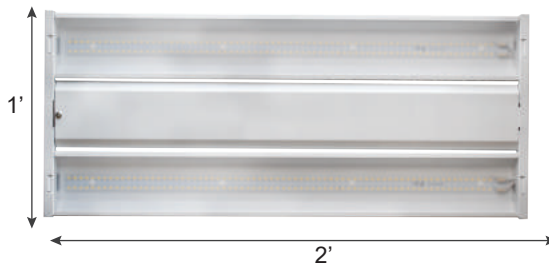
135W-180W

Features

Performance

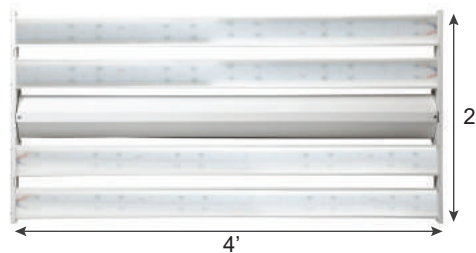
- Offering quality lighting and excellent energy savings compared to linear fluorescent and HID highbay fixtures.
- Motion Sensor optional and supports Emergency Battery.
- Lumen output from 12000-24000lm with efficacy up to 133lm/W.
- Standard 0-10V dimming available, Projected life span of 50,000 hrs.
- UL/cUL and DLC Premium pending.



Linear High Bay 1x2 / 2'x2' Specifications

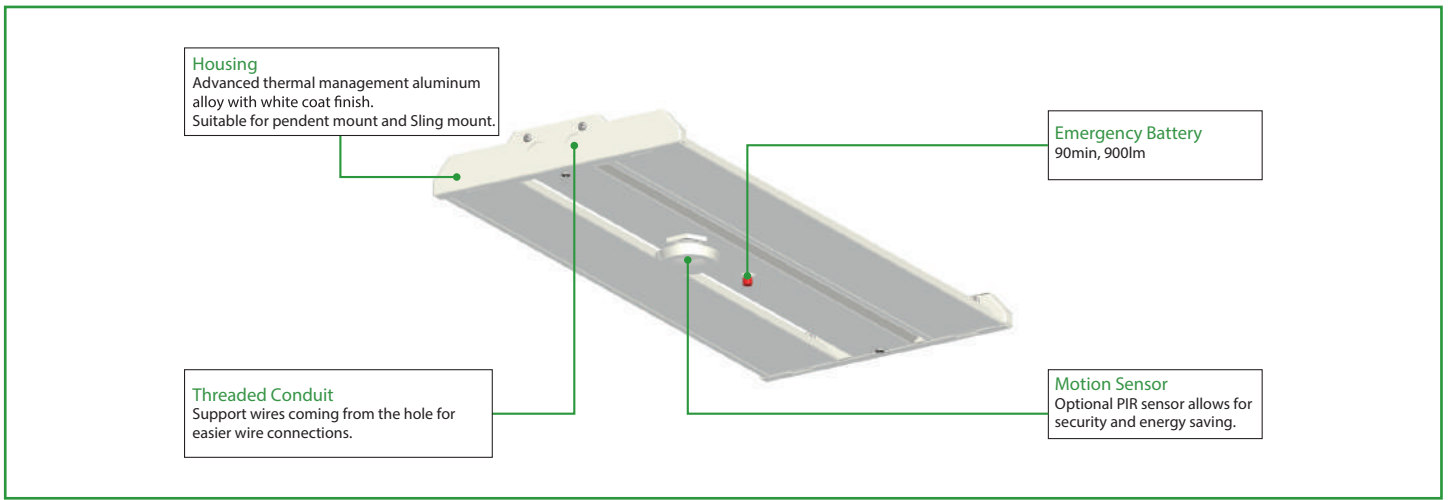
Product Code	Lumens	Color Temp	Wattage	Volt	Replaces
HBL12D090W27V50K-FD	12000lm	5000K	90W	120/277	175W
HBL22D135W27V50K-FD	18000lm	5000K	135W	120/277	250W
HBL22D180W27V50K-FD	24000lm	5000K	180W	120/277	400W

320W

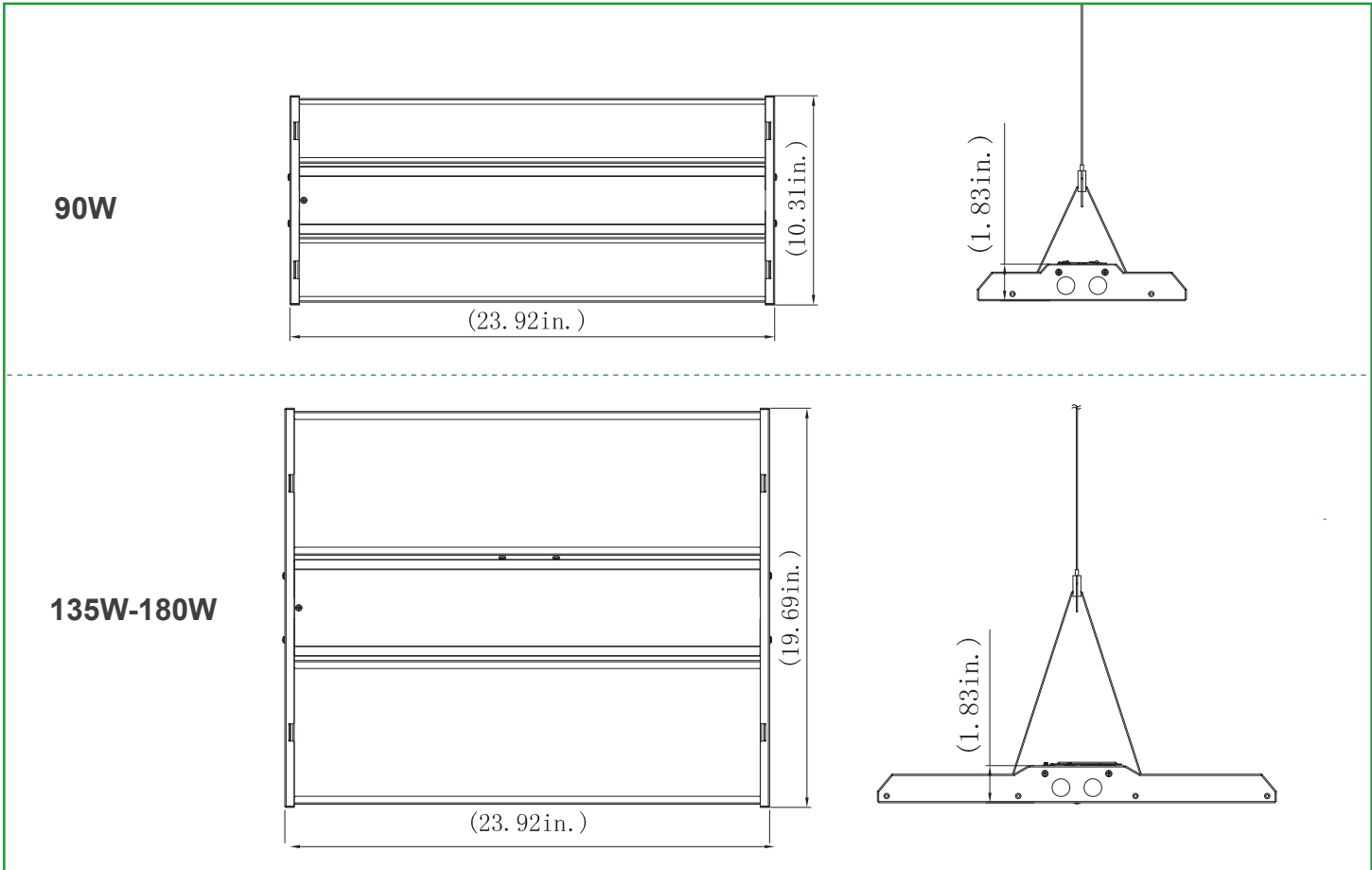


Linear High Bay 2x4' Specifications

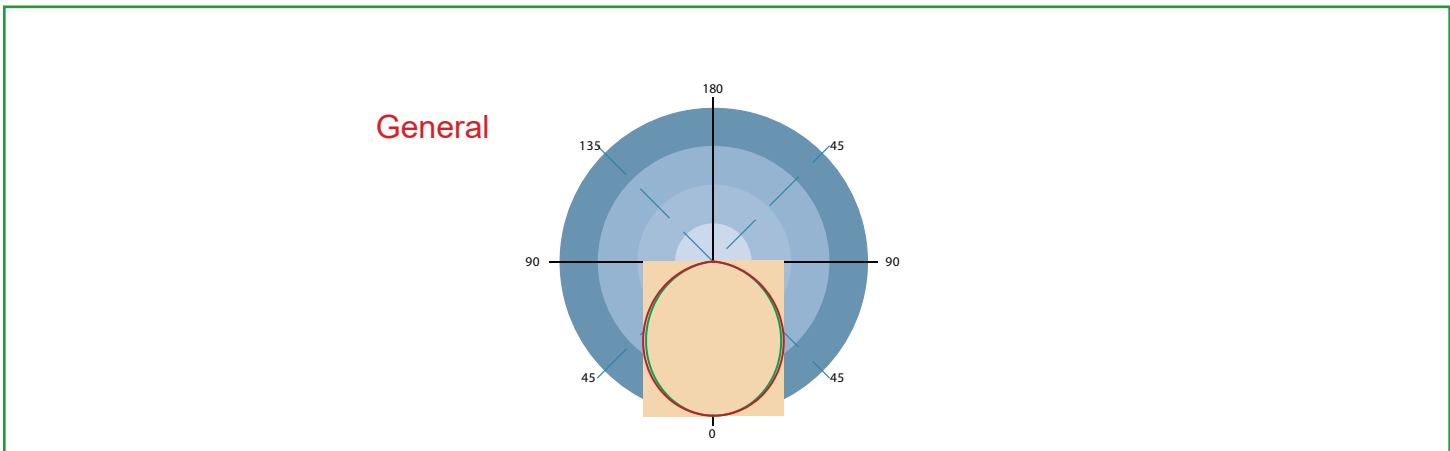
Product Code	Lumens	Color Temp	Wattage	Volt	Replaces
FBX45LL50-UNV-LCA	43,800	5000K	320W	120/277	1000W



Dimensions



Photometrics



APPROVALS:

TYPE:
NOTES:

JOB:

SHOPLIGHT - LSHM36AG140-US

FEATURES

- Robust 20 gauge sheet metal construction
- Integrated LED
- Even light with no hot spots
- Instant light output and restrike unlike most fluorescent
- Linkable design; up to 8 fixtures
- Easy installation
- Pullchain power switch
- Plug-in ready 5ft cord
- Perfect for workshop, garage, storage, shed, attic, and basement applications



PRODUCT SPECIFICATIONS

INPUT VOLTAGE:

- 120V

CONSTRUCTION:

- Robust 20 gauge sheet metal reflector
- Pullchain power switch
- 125V 10amp plug for linkable applications
- 5ft plug-in ready SJTW cord

BODY FINISH:

- Reflective white powder coat finish for maximum efficiency
- All parts painted after fabrication to facilitate safe installation with smooth edges, increase efficiency, and inhibit corrosion

LENS:

- Low-glare diffuse matte opal lens
- Shatterproof with enhanced durability provided by composite thermoplastic and glass construction

MOUNTING:

- Hook suspension (Hardware Included)

COLOR TEMPERATURE: 4000K

CRI: Up to 80

EFFICACY: Up to 88lm/W

IGNITION TIME: Less than 1sec.

OPERATING TEMPERATURE: -20°C to 45°C

POWER FACTOR: Greater than 0.90

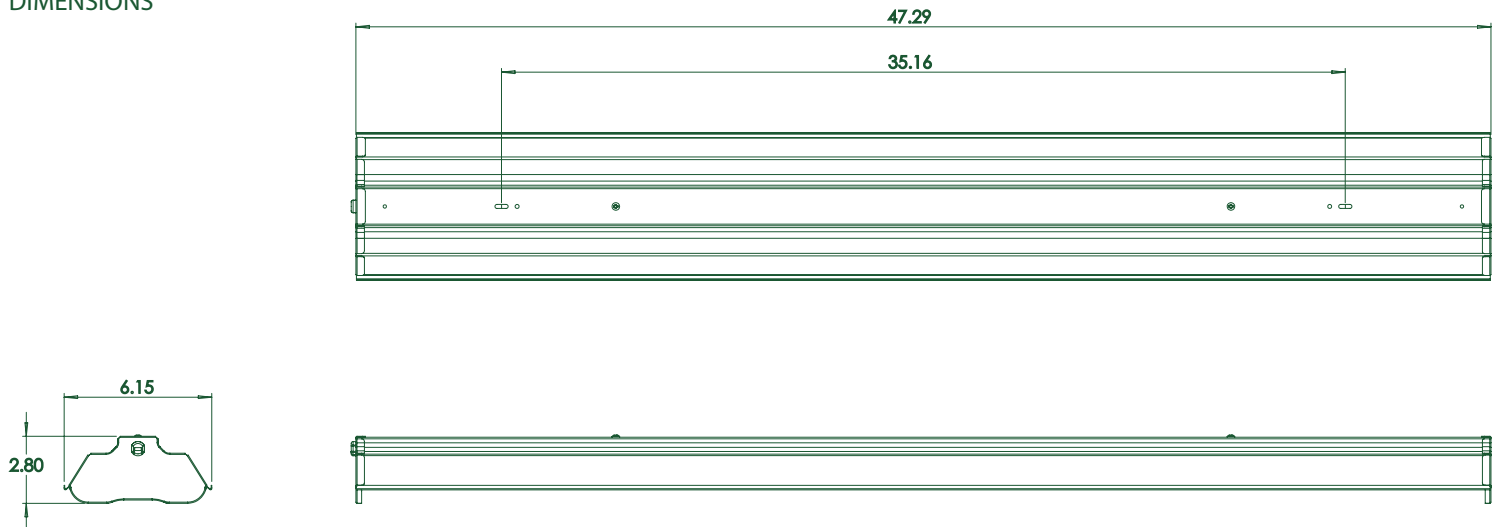
IP RATING: IP30

ORDERING MATRIX

Sample Number: LSHM36AG140-US

PREFIX	LUMENS	GENERATION	CCT	COUNTRY CODE
LSHM	36A = 3600lm (36W)	G1	40 = 4000K	-US

DIMENSIONS



STANDARDS

RoHS	Complies with restriction of the use of certain hazardous substances
ETL	North America safety standard compliance



RoHS



ATTRIBUTES

PART NUMBER	WATTAGE	LUMENS	lm/W
LSHM	36W	3600lm	100

*Note: Actual performance may differ due to end user application or environment. All values are design or typical values.